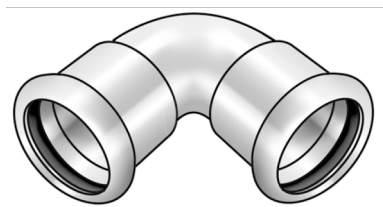


STEEL FIX EDELSTAHL

NP420 STEELFIX stainless steel press-fit elbow
90° 88,9

53615KK0

Areas of application



Press-elbow 90° stainless steel 1.4404, incl. EPDM sealing components, d15-54 "leak before pressed"

Press contour: M

Approvals:



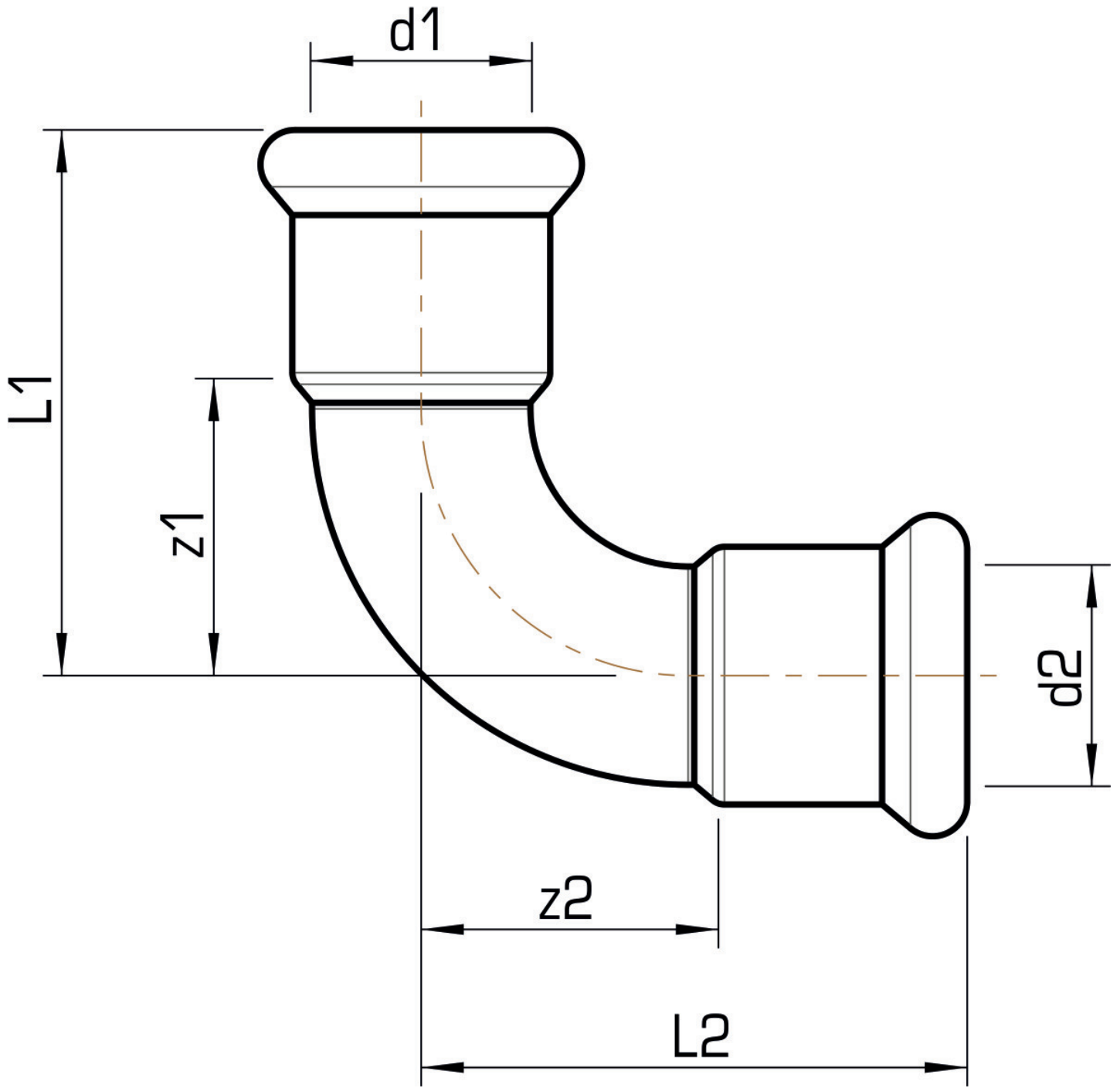
Specifications

Article information

| | |
|---------------|------------|
| port 1 | Pressmuffe |
| port 2 | Pressmuffe |
| execution | 1-part |
| design | Bogen |
| angle | 90 ° |
| press contour | M |

Product information

| | |
|----------------|--|
| VPE1 | 2,00 SA1 |
| VPE2 | 8,00 KT1 |
| weight | 1,325 KGM |
| text | STEELFIX stainless steel press-fit elbow 90° |
| INTRNR | 73072980 |
| material group | EDELSTAHL pressfittings |
| code | NP420 |



| Art. No | label | d1 mm | d2 mm | L1 mm | L2 mm | z1 mm | z2 mm |
|----------|-------|-------|-------|-------|-------|-------|-------|
| 53615KK0 | 88,9 | 88,9 | 88,9 | 174 | 174 | 111 | 111 |