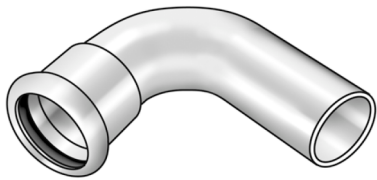


STEEL FIX EDELSTAHL

NP421 STEELFIX stainless steel press-fit elbow
90° male/female 76,1

53616JJ0

Areas of application



Press-elbow 90°, f/m, stainless steel 1.4404, incl. EPDM sealing components, d15-54 "leak before pressed"

Press contour: M

Approvals:



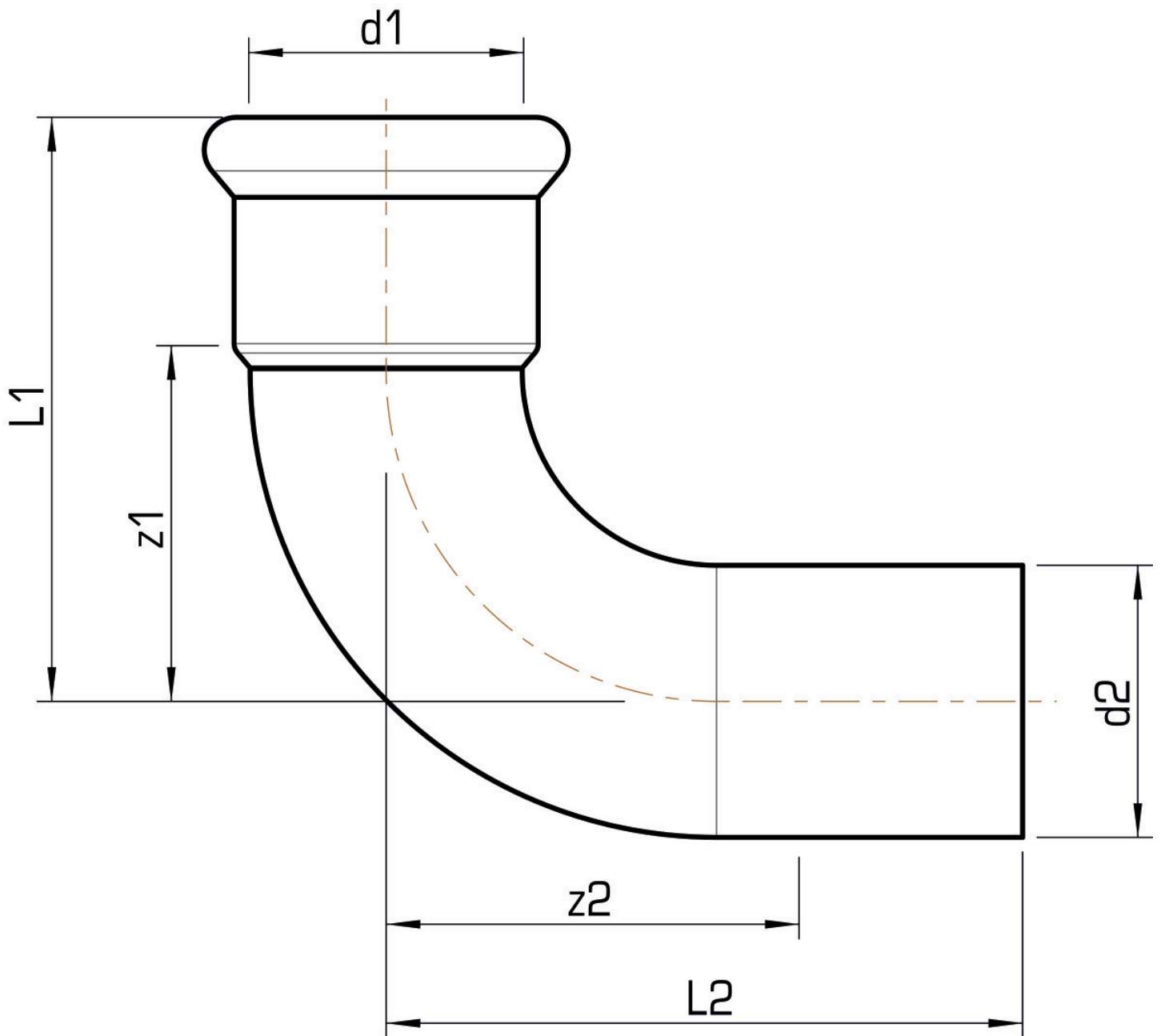
Specifications

Article information

port 1	Pressmuffe
port 2	Zapfen/Rohrende
execution	1-part
design	Bogen
angle	90 °
press contour	M

Product information

VPE1	2,00 SA1
VPE2	12,00 KT1
weight	0,982 KGM
text	STEELFIX stainless steel press-fit elbow 90° male/female
INTRNR	73072980
material group	EDELSTAHL pressfittings
code	NP421



Art. No	label	d1 mm	d2 mm	L1 mm	L2 mm	z1 mm	z2 mm
53616JJ0	76,1	76,1	76,1	150	165	95	110