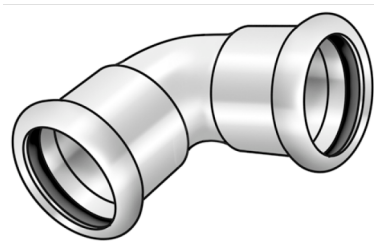


STEEL FIX EDELSTAHL

NP425 Stainless steel press-elbow 45° 76,1

53620JJ0

Areas of application



Press-elbow 45°, made of stainless steel 1.4404, incl. EPDM sealing elements, d15-54 "not pressed, not sealed"

Press contour: M

Approvals:



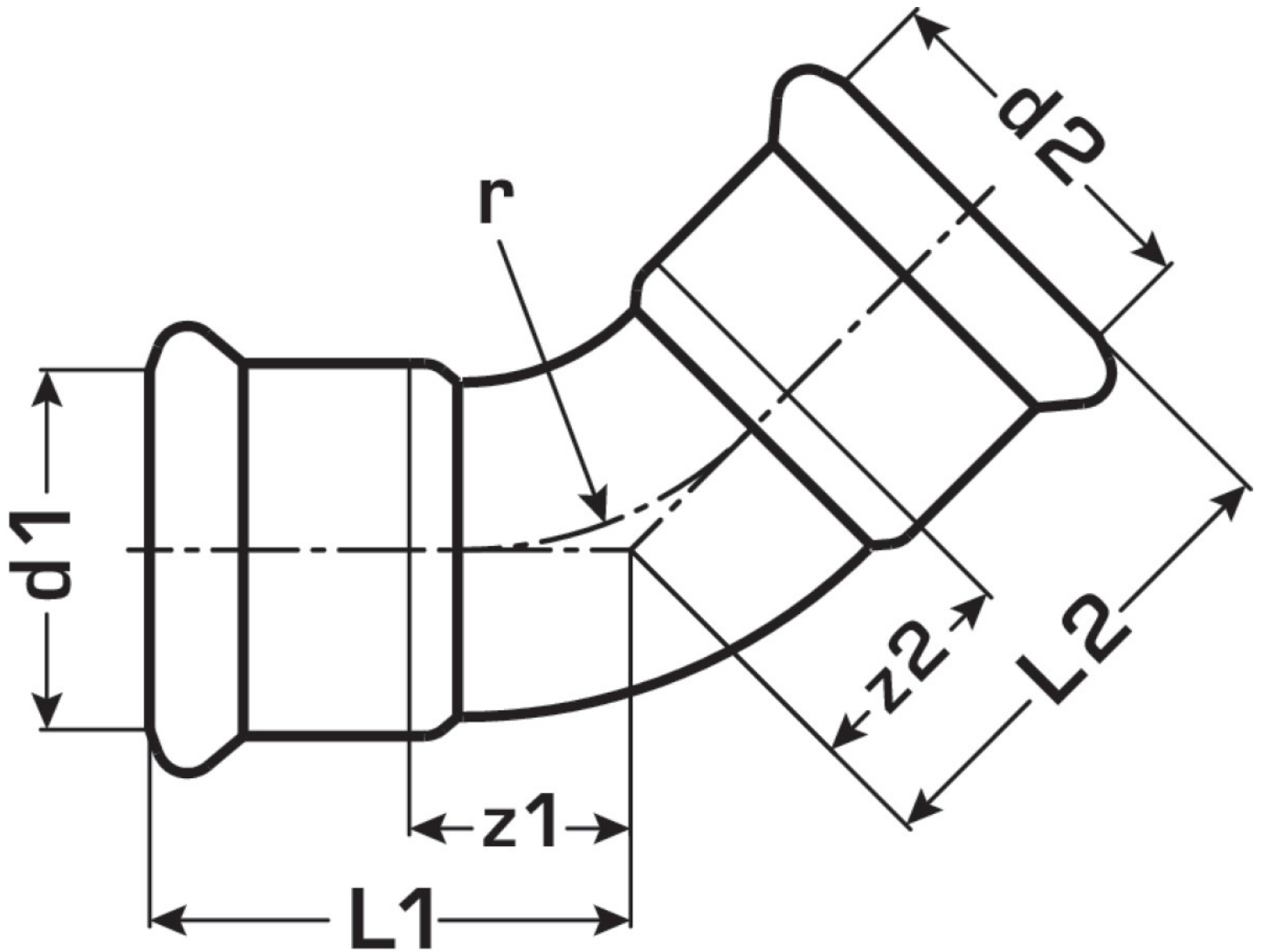
Specifications

Article information

port 1	Pressmuffe
port 2	Pressmuffe
execution	1-teilig
design	Bogen
angle	45 °
press contour	M

Product information

VPE1	2 SA1
weight	0,773 KGM
text	Stainless steel press-elbow 45°
INTRNR	73072980
main material group	STEELFIX
material group	EDELSTAHL pressfittings
code	NP425



Art. No	label	d1 mm	d2 mm	L1 mm	L2 mm	z1 mm	z2 mm
53620JJ0	76,1	76.1	76.1	98	98	49	49