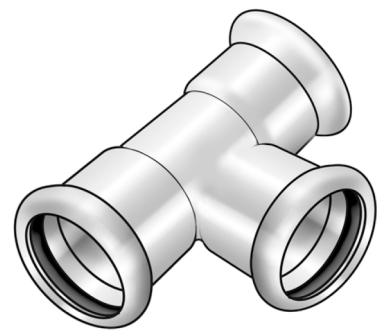


STEEL FIX EDELSTAHL

NP440 STEELFIX stainless steel press-fit-tee
76/54/76

53630JHJ

Areas of application



Press-tee equal or reduced made of stainless steel 1.4404, incl. EPDM sealing elements, d15-54

"leak before pressed"

Press contour: M

Approvals:



Specifications

Article information

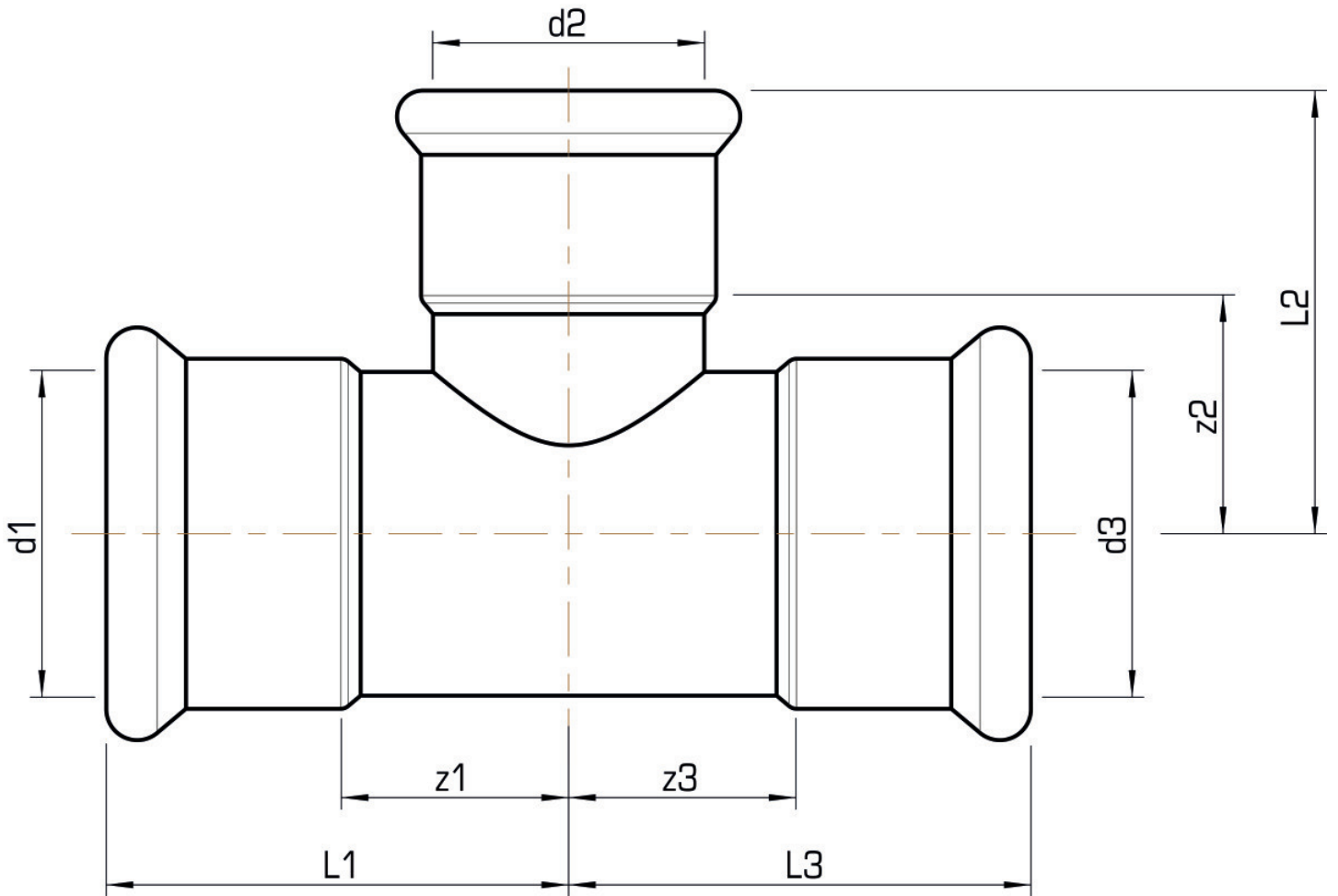
| | |
|---------------|------------|
| port 1 | Pressmuffe |
| port 2 | Pressmuffe |
| port 3 | Pressmuffe |
| execution | T-Stück |
| press contour | M |

Technical properties

| | |
|------------------------------------|--------|
| maximum working pressure at 20 ° C | 16 bar |
|------------------------------------|--------|

Product information

| | |
|----------------|--|
| VPE1 | 2,00 SA1 |
| VPE2 | 10,00 KT1 |
| weight | 1,155 KGM |
| text | STEELFIX stainless steel press-fit-tee |
| INTRNR | 73072980 |
| material group | EDELSTAHL pressfittings |
| code | NP440 |



| Art. No | label | d1 mm | d2 mm | d3 mm | L1 mm | L2 mm | L3 mm | z1 mm | z2 mm | z3 mm |
|----------|----------|-------|-------|-------|-------|-------|-------|-------|-------|-------|
| 53630JHJ | 76/54/76 | 76 | 54 | 76 | 116 | 80 | 116 | 61 | 45 | 61 |