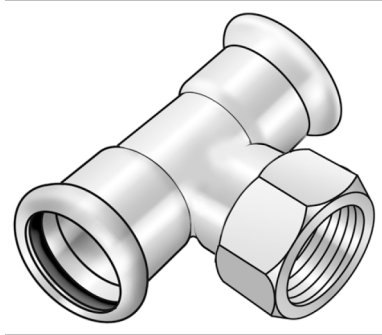


# STEEL FIX EDELSTAHL

NP447 STEELFIX stainless steel press-fit-tee  
with branch female 22x3/4"

53740D04

## Areas of application



Press-tee with threaded branch female made of stainless steel 1.4404, incl. EPDM sealing elements,  
d15-54 "leak before pressed"

Press contour: M

## Approvals:



# Specifications

## Article information

|               |                            |
|---------------|----------------------------|
| port 1        | Pressmuffe                 |
| port 2        | Innengewinde konisch (NPT) |
| port 3        | Pressmuffe                 |
| execution     | T-Stück                    |
| press contour | M                          |

## Technical properties

|                                    |        |
|------------------------------------|--------|
| maximum working pressure at 20 ° C | 16 bar |
|------------------------------------|--------|

## Product information

|                |                                                           |
|----------------|-----------------------------------------------------------|
| VPE1           | 10,00 SA1                                                 |
| VPE2           | 40,00 KT1                                                 |
| VPE3           | 1000,00 DDP                                               |
| weight         | 0,140 KGM                                                 |
| text           | STEELFIX stainless steel press-fit-tee with branch female |
| INTRNR         | 73072980                                                  |
| material group | EDELSTAHL pressfittings                                   |
| code           | NP447                                                     |



| Art. No | label   | d2 Inches     | d1 mm | d3 mm | L1 mm | L2 mm | L3 mm | z1 mm | z2 mm | z3 mm | slw1 mm |
|---------|---------|---------------|-------|-------|-------|-------|-------|-------|-------|-------|---------|
| 53740D0 | 22x3/4" | 3/4 Zoll (20) | 22    | 22    | 39,5  | 39    | 39,5  | 18,5  | 21    | 18,5  | 30      |