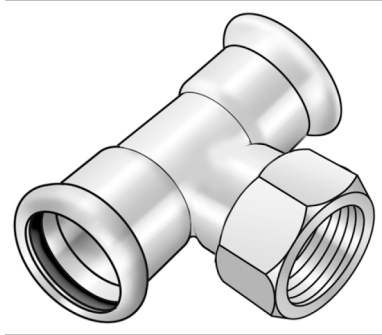


# STEEL FIX EDELSTAHL

NP447 Stainless steel press-tee with branch female 42x3/4"

53740G04

## Areas of application



Press-fit tee with threaded branch female made of stainless steel 1.4404, incl. EPDM sealing components, d15-54 "leak before pressed"

Press contour: M

## Approvals:



# Specifications

## Article information

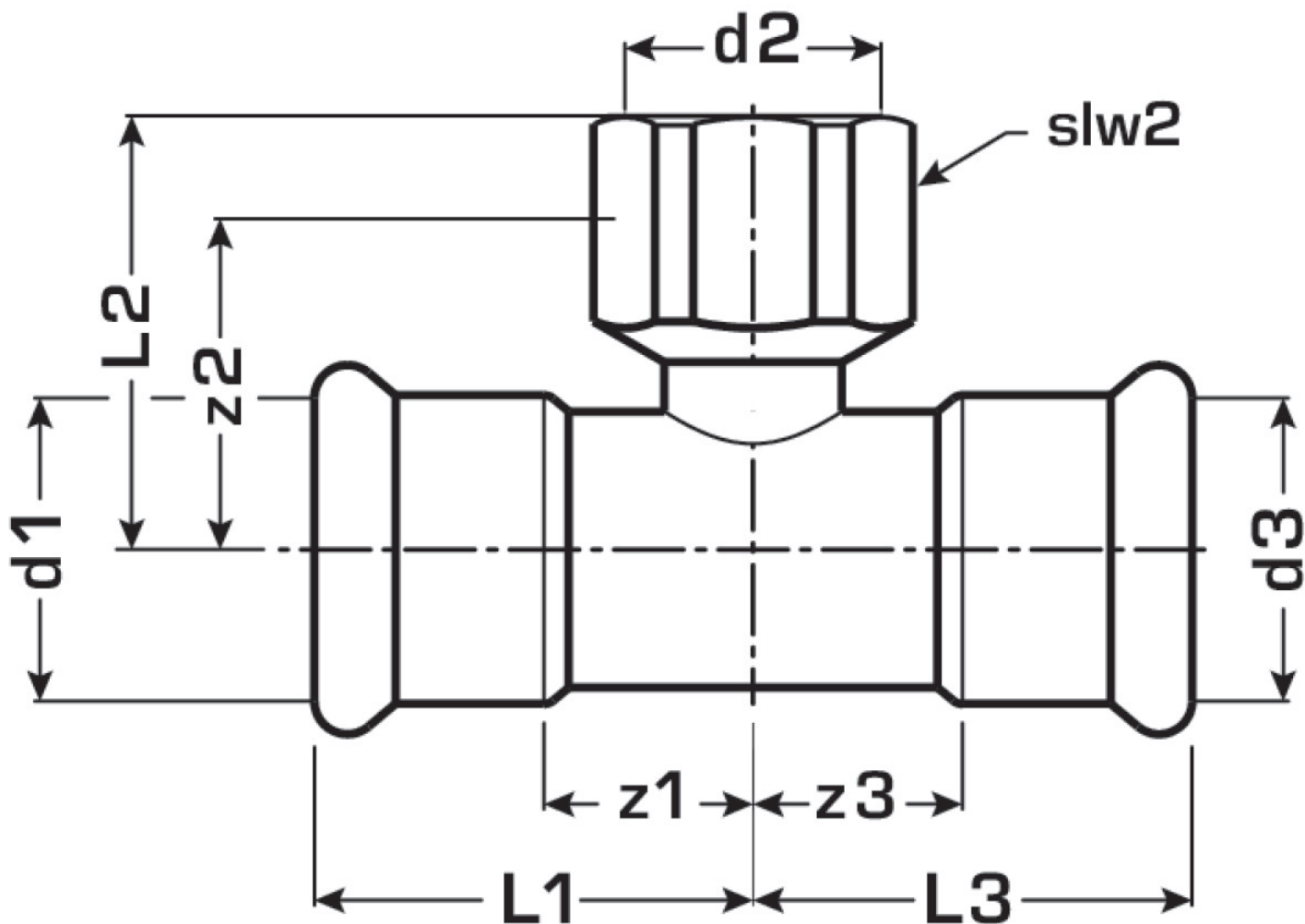
|               |                            |
|---------------|----------------------------|
| port 1        | Pressmuffe                 |
| port 2        | Innengewinde konisch (NPT) |
| port 3        | Pressmuffe                 |
| execution     | T-Stück                    |
| press contour | M                          |

## Technical properties

|                                    |        |
|------------------------------------|--------|
| maximum working pressure at 20 ° C | 16 bar |
|------------------------------------|--------|

## Product information

|                     |  |
|---------------------|--|
| VPE1                | 4 SA1  |
| VPE2                | 12 KT1                                       |
| VPE3                | 300 DDP                                      |
| weight              | 0,276 KGM                                    |
| text                | Stainless steel press-tee with branch female |
| INTRNR              | 73072980                                     |
| main material group | STEELFIX                                     |
| material group      | EDELSTAHL pressfittings                      |
| code                | NP447  |



| Art. No | label   | d2            | d1 mm | d3 mm | L1 mm | L2 mm | L3 mm | z1 mm | z2 mm | z3 mm | slw1 mm |
|---------|---------|---------------|-------|-------|-------|-------|-------|-------|-------|-------|---------|
| 53740G0 | 42x3/4" | 3/4 Zoll (20) | 42    | 42    | 60    | 48    | 60    | 30    | 37    | 30    | 67      |