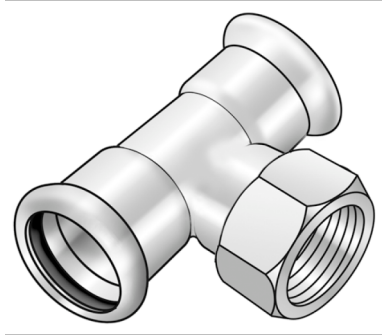


STEEL FIX EDELSTAHL

NP447 Stainless steel press-tee with branch female 89x3/4"

53740K04

Areas of application



Press-fit tee with threaded branch female made of stainless steel 1.4404, incl. EPDM sealing components, d15-54 "leak before pressed"

Press contour: M

Approvals:



Specifications

Article information

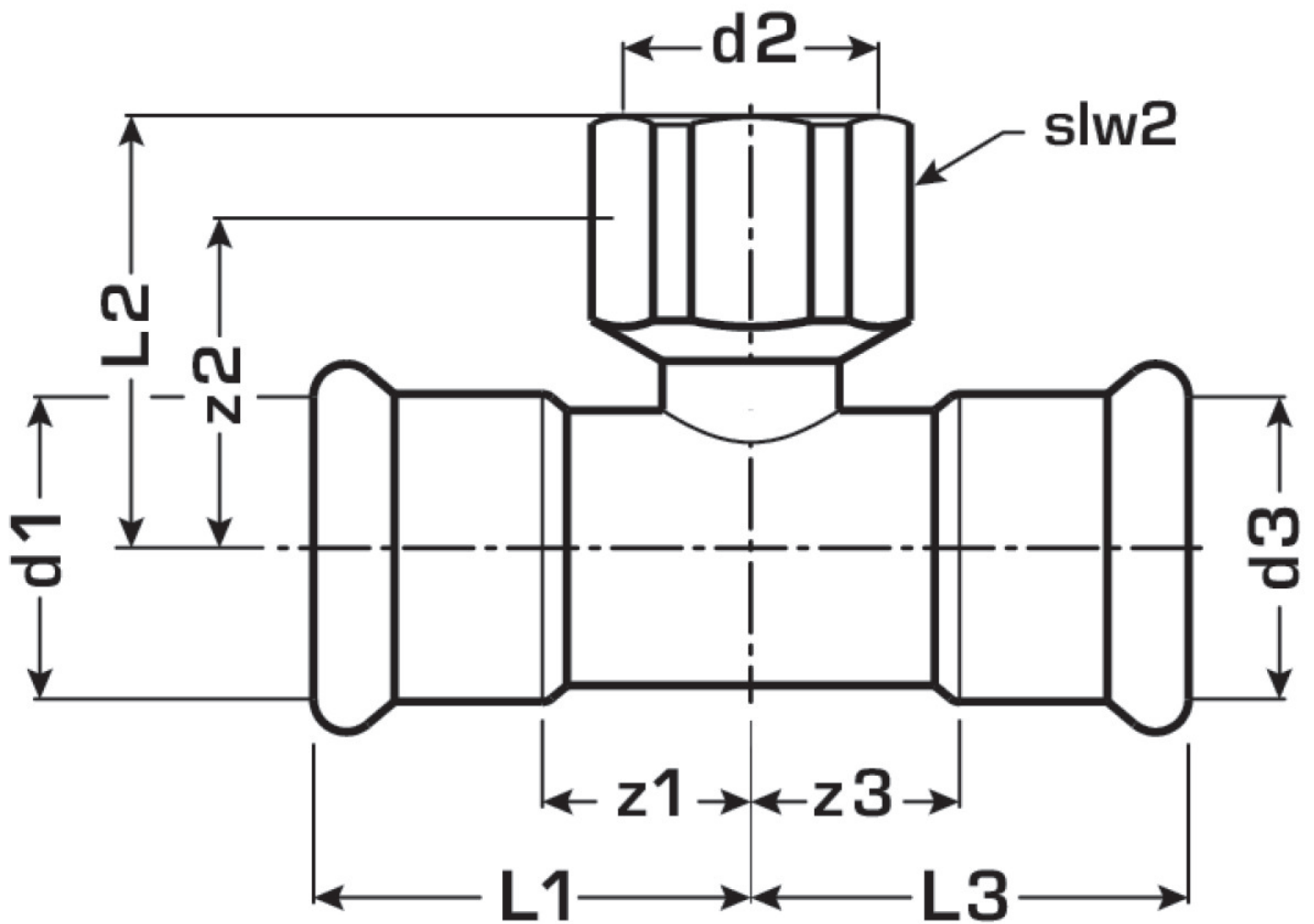
port 1	Pressmuffe
port 2	Innengewinde konisch (NPT)
port 3	Pressmuffe
execution	T-Stück
press contour	M

Technical properties

maximum working pressure at 20 ° C	16 bar
------------------------------------	--------

Product information

VPE1	2 SA1
weight	1,32 KGM
text	Stainless steel press-tee with branch female
INTRNR	73072980
main material group	STEELFIX
material group	EDELSTAHL pressfittings
code	NP447



Art. No	label	d2	d1 mm	d3 mm	L1	L2	L3 mm	z1	z2	z3 mm	slw1 mm
53740K0	89x3/4"	3/4 Zoll (20)	88.9	88.9	131	87	131	68	74	68	30