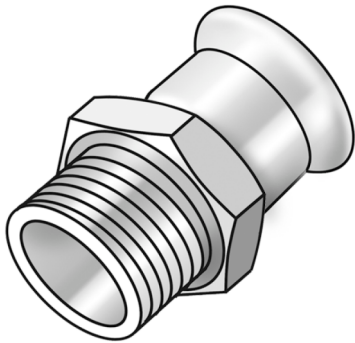


STEEL FIX EDELSTAHL

NP450 Stainless steel press-adaptor male
28x5/4"

53702E06

Areas of application



Press-fit adaptor with male thread conforming to EN 10226-1 made of stainless steel 1.4404, incl. EPDM sealing components, d15-54 "leak before pressed"

Press contour: M

Approvals:



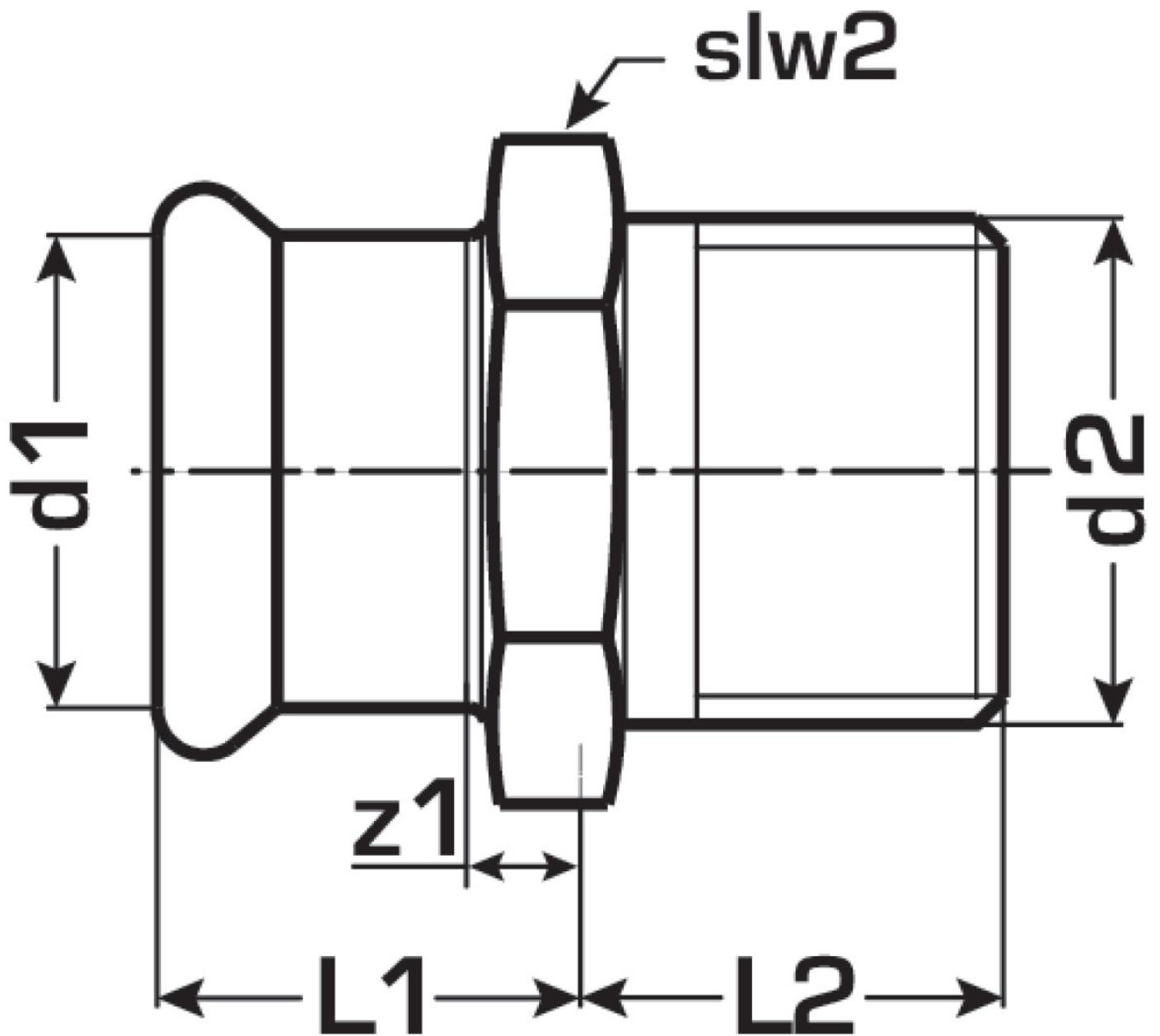
Specifications

Article information

port 1	Pressmuffe
port 2	Außengewinde konisch (NPT)
execution	1-teilig
design	gerade
press contour	M

Product information

VPE1	10 SA1
VPE2	30 KT1
VPE3	750 DDP
weight	0,198 KGM
text	Stainless steel press-adaptor male
INTRNR	73072980
main material group	STEELFIX
material group	EDELSTAHL pressfittings
code	NP450



Art. No	label	d2	d1 mm	L1 mm	L2 mm	z1 mm	slw2 mm
53702E06	28x5/4"	1 1/4 Zoll (32)	28	31	21	8	50