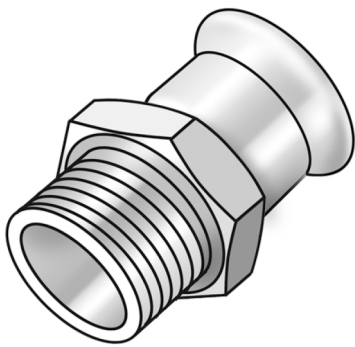


# STEEL FIX EDELSTAHL

NP450 Stainless steel press-adaptor male 54x2"

53702H09

## Areas of application



Press-fit adaptor with male thread conforming to EN 10226-1 made of stainless steel 1.4404, incl. EPDM sealing components, d15-54 "leak before pressed"

Press contour: M

## Approvals:



# Specifications

## Article information

port 1	Pressmuffe
port 2	Außengewinde konisch (NPT)
execution	1-teilig
design	gerade
press contour	M

## Product information

VPE1	4 SA1
VPE2	12 KT1
VPE3	300 DDP
weight	0,394 KGM
text	Stainless steel press-adaptor male
INTRNR	73072980
main material group	STEELFIX
material group	EDELSTAHL pressfittings
code	NP450



Art. No	label	d2	d1 mm	L1 mm	L2 mm	z1 mm	slw2 mm
53702H09	54x2"	2 Zoll (50)	54	43	26	8	77