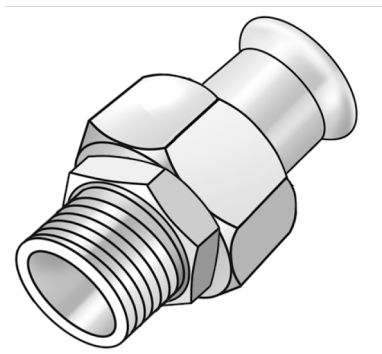


STEEL FIX EDELSTAHL

NP451 Stainless steel press union with male thread 42x6/4"

53741G07

Areas of application



Press-fit union with male thread conforming to EN 10226-1 made of stainless steel 1.4404, incl. EPDM sealing components, d15-54 "leak before pressed"

Press contour: M

Approvals:



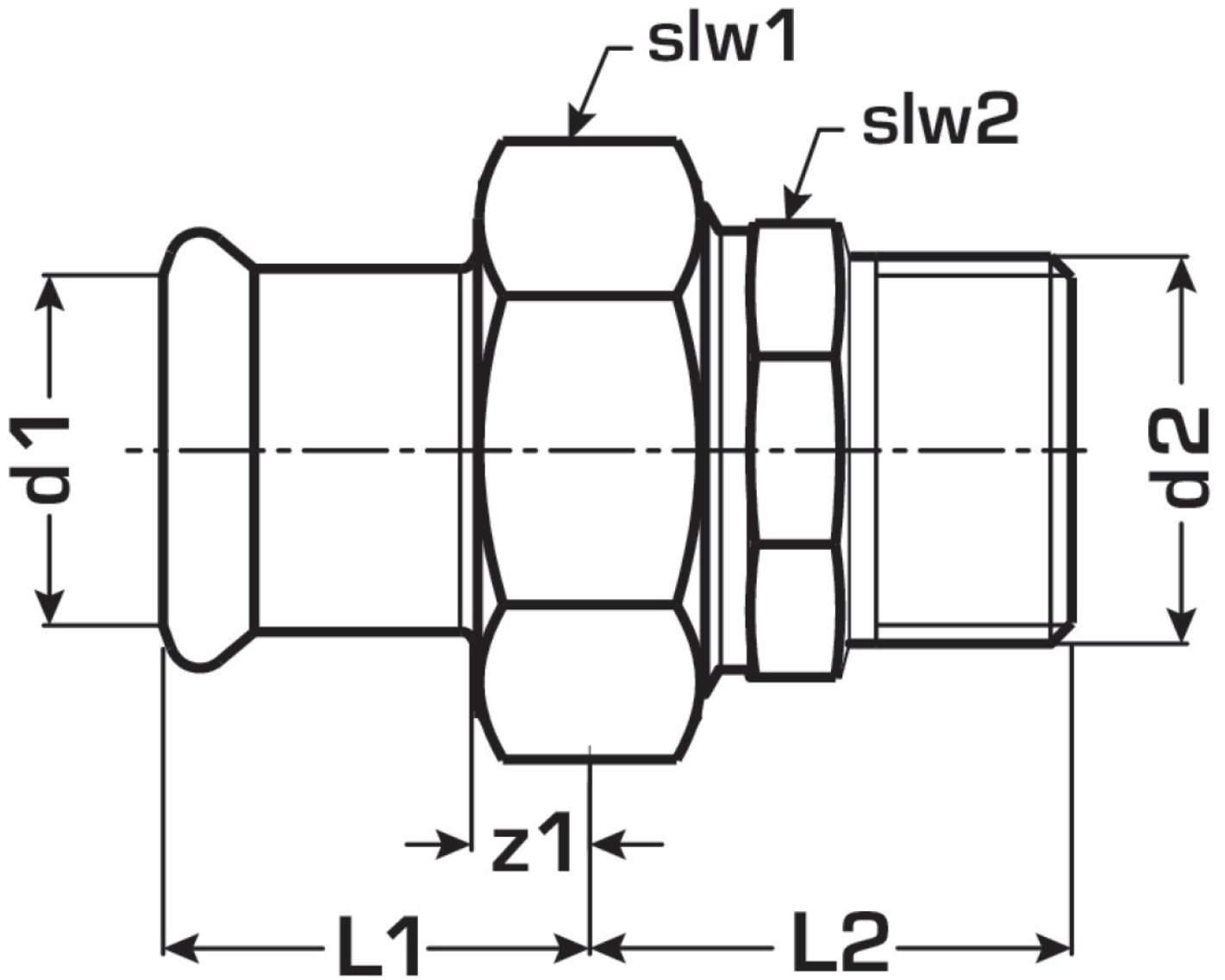
Specifications

Article information

port 1	Pressmuffe
port 2	Außengewinde konisch (NPT)
execution	1-teilig
design	gerade
press contour	M

Product information

VPE1	2 SA1
VPE2	12 KT1
VPE3	300 DDP
weight	0,558 KGM
text	Stainless steel press union with male thread
INTRNR	73072980
main material group	STEELFIX
material group	EDELSTAHL pressfittings
code	NP451



Art. No	label	d2	d1 mm	L1 mm	L2 mm	z1 mm	slw1 mm	slw2 mm
53741G07	42x6/4"	1 1/2 Zoll (40)	42	85	44	11	58	51