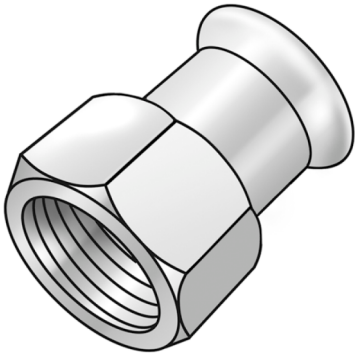


STEEL FIX EDELSTAHL

NP457 STEELFIX stainless steel press-fit-adapter with female thread 42x5/4"

53706G06

Areas of application



Press-adapter with female thread made of stainless steel 1.4404, incl. EPDM sealing components, d15-54 "leak before pressed"

Press contour: M

Approvals:



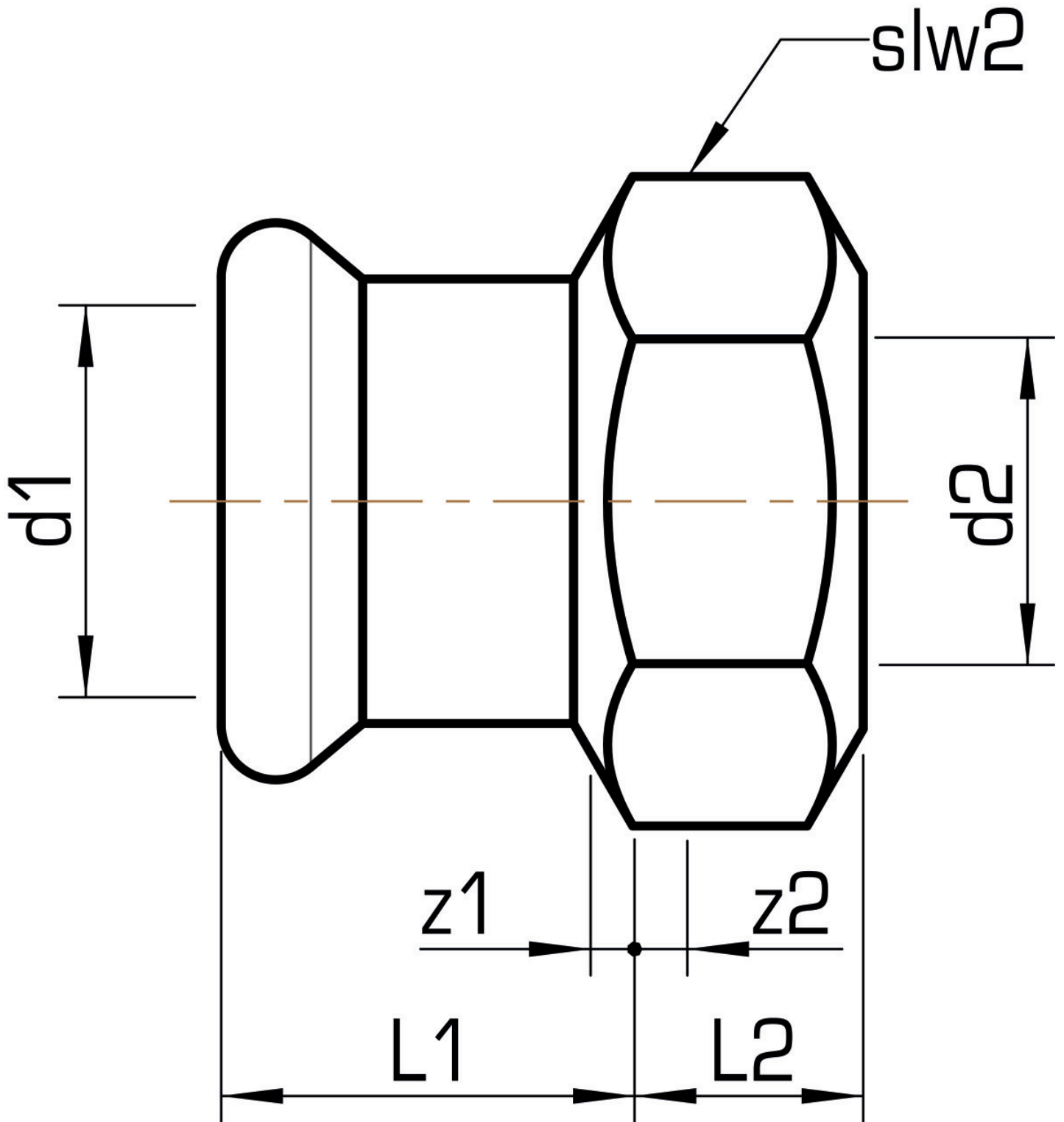
Specifications

Article information

port 1	Pressmuffe
port 2	Innengewinde zylindrisch BSPT-Rp (ISO 7-1 / EN 10226-1)
execution	1-part
design	gerade
press contour	M

Product information

VPE1	4,00 SA1
VPE2	12,00 KT1
VPE3	300,00 DDP
weight	0,285 KGM
text	STEELFIX stainless steel press-fit-adapter with female thread
INTRNR	73072980
material group	EDELSTAHL pressfittings
code	NP457



Art. No	label	d2 Inches	d1 mm	L1 mm	L2 mm	slw2 mm
53706G06	42x5/4"	1 1/4"	42	30	22	54



KE KELIT GmbH

A 4020 Linz, Ignaz-Mayer-Straße 17, Austria, Europe

PHONE +43 (0) 50 779 **E-MAIL** office@kekelit.com

www.kekelit.com