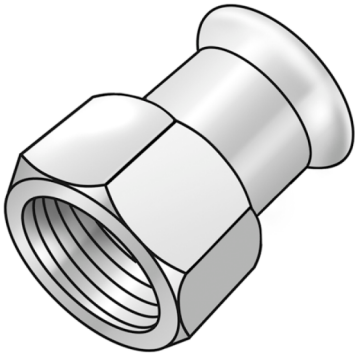


# STEEL FIX EDELSTAHL

NP457 STEELFIX stainless steel press-fit-adapter with female thread 54x2"

53706H09

## Areas of application



Press-adapter with female thread made of stainless steel 1.4404, incl. EPDM sealing components, d15-54 "leak before pressed"

Press contour: M

## Approvals:



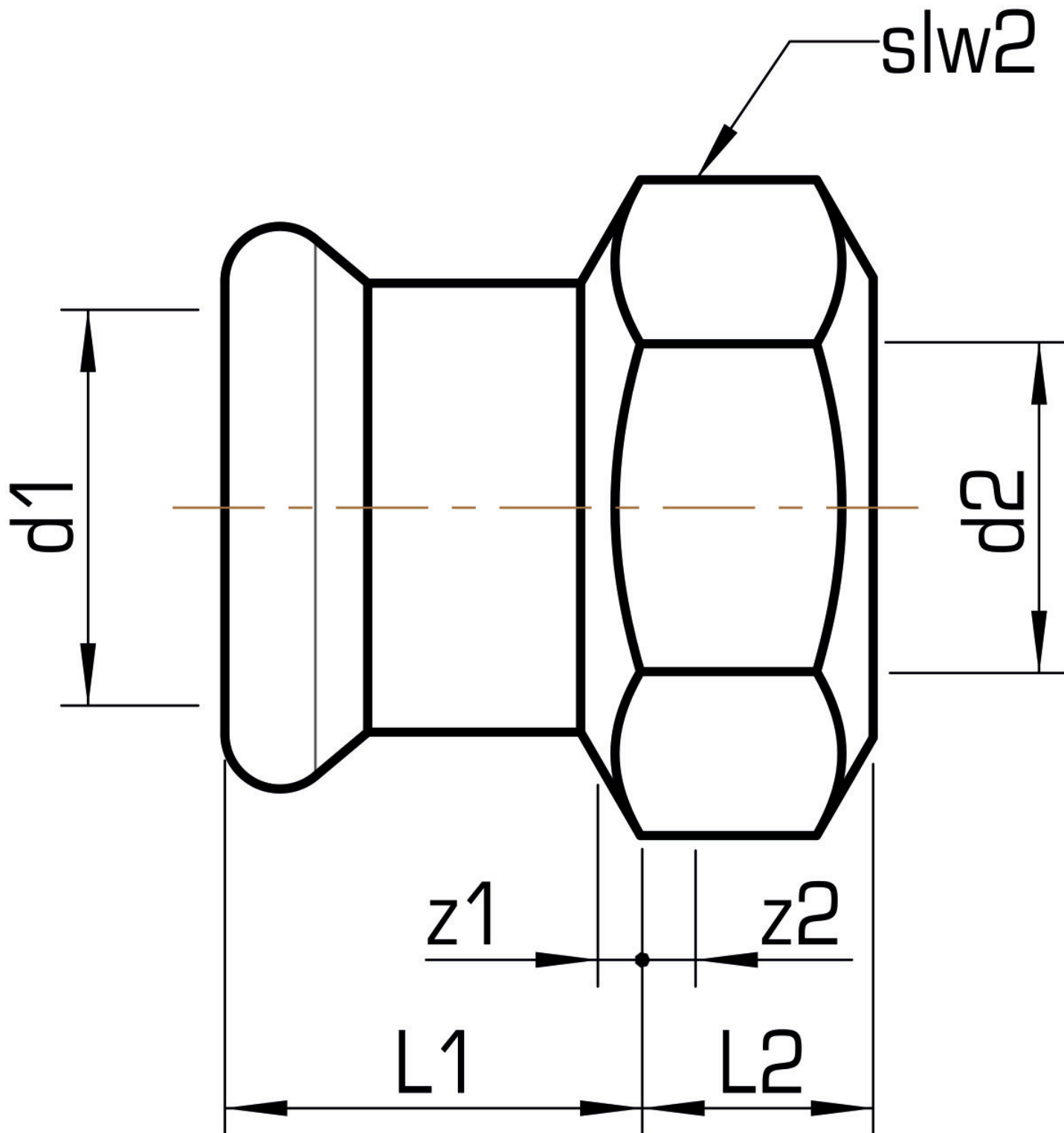
# Specifications

## Article information

port 1	Pressmuffe
port 2	Innengewinde zylindrisch BSPT-Rp (ISO 7-1 / EN 10226-1)
execution	1-part
design	gerade
press contour	M

## Product information

VPE1	4,00 SA1
VPE2	12,00 KT1
VPE3	300,00 DDP
weight	0,491 KGM
text	STEELFIX stainless steel press-fit-adapter with female thread
INTRNR	73072980
material group	EDELSTAHL pressfittings
code	NP457



Art. No	label	d2 Inches	d1 mm	L1 mm	L2 mm	z1 mm	z2 mm	slw2 mm
53706H09	54x2"	2"	54	37	26	2	8	67



**KE KELIT GmbH**

A 4020 Linz, Ignaz-Mayer-Straße 17, Austria, Europe

**PHONE** +43 (0) 50 779 **E-MAIL** [office@kekelit.com](mailto:office@kekelit.com)

[www.kekelit.com](http://www.kekelit.com)