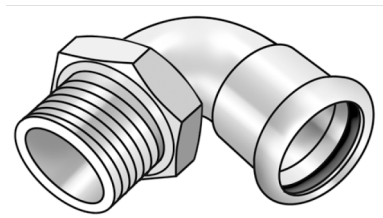


STEEL FIX EDELSTAHL

NP460 Stainless steel press-elbow adaptor 90°
male 42x6/4"

53712G07

Areas of application



Press-fit elbow adaptor 90° with male thread conforming to EN 10226-1 made of stainless steel 1.4404, incl. EPDM sealing components, d15-54 "leak before pressed"

Press contour: M

Approvals:



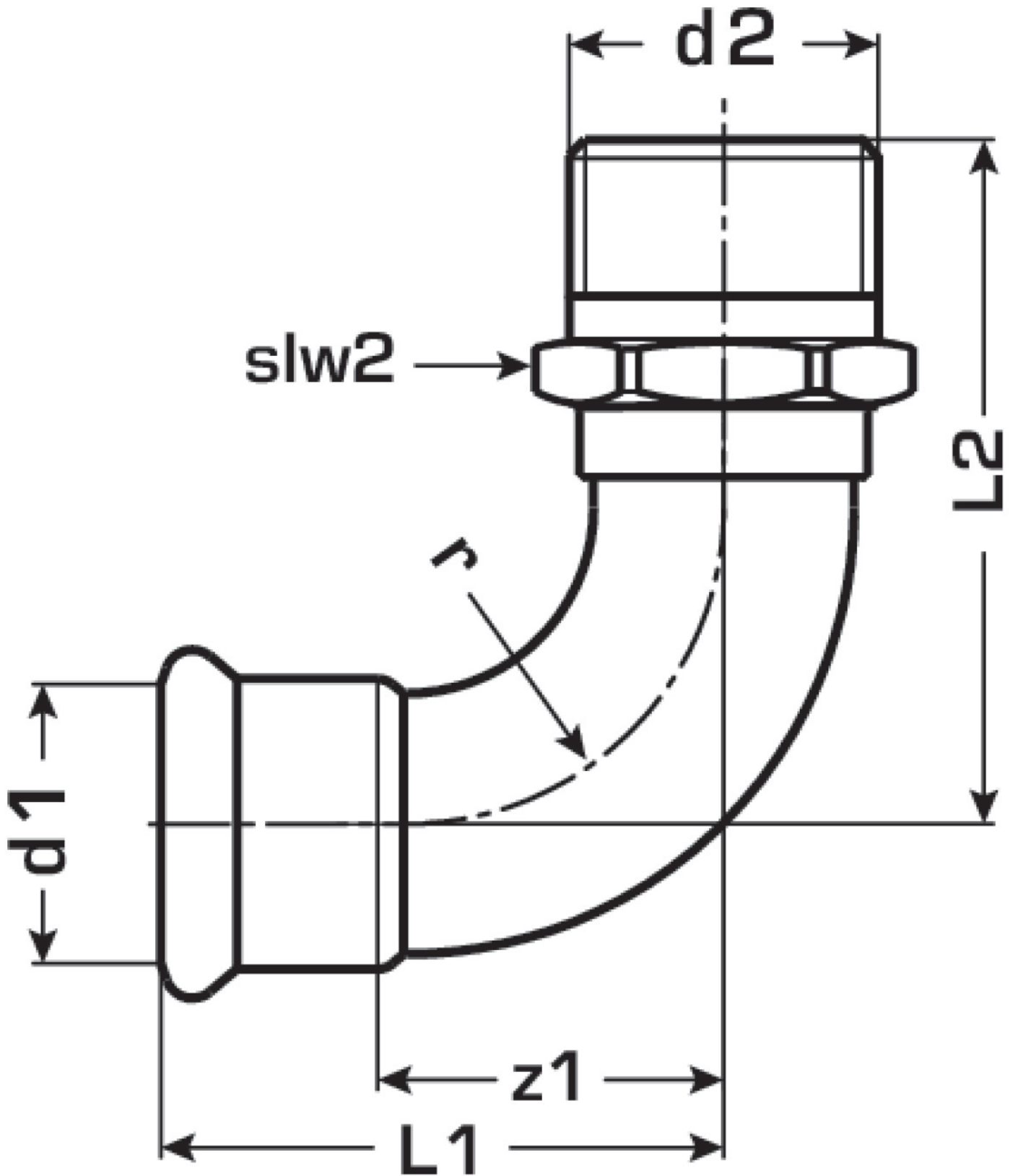
Specifications

Article information

port 1	Pressmuffe
port 2	Außengewinde konisch (NPT)
execution	1-teilig
design	Winkel
angle	90 °
press contour	M

Product information

VPE1	2 SA1
VPE2	12 KT1
VPE3	300 DDP
weight	0,502 KGM
text	Stainless steel press-elbow adaptor 90° male
INTRNR	73072980
main material group	STEELFIX
material group	EDELSTAHL pressfittings
code	NP460



Art. No	label	d2	d1 mm	L1 mm	L2 mm	z1 mm	slw2 mm
53712G07	42x6/4"	1 Zoll (25)	42	80	88	50	49



KE KELIT GmbH

A 4020 Linz, Ignaz-Mayer-Straße 17, Austria, Europe

PHONE +43 (0) 50 779 **E-MAIL** office@kekelit.com

www.kekelit.com