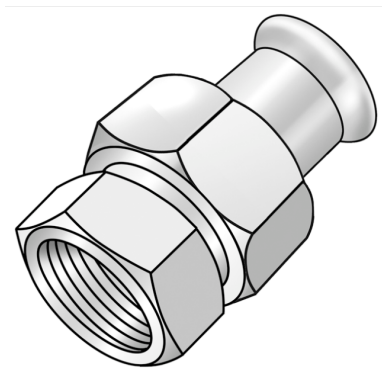


STEEL FIX EDELSTAHL

NP466 Stainless steel press union with female thread 18x1/2"

53742C02

Areas of application



Press-fit union with female thread conforming to EN 10226-1 made of stainless steel 1.4404, incl. EPDM sealing components, d15-54 "leak before pressed"

Press contour: M

Approvals:



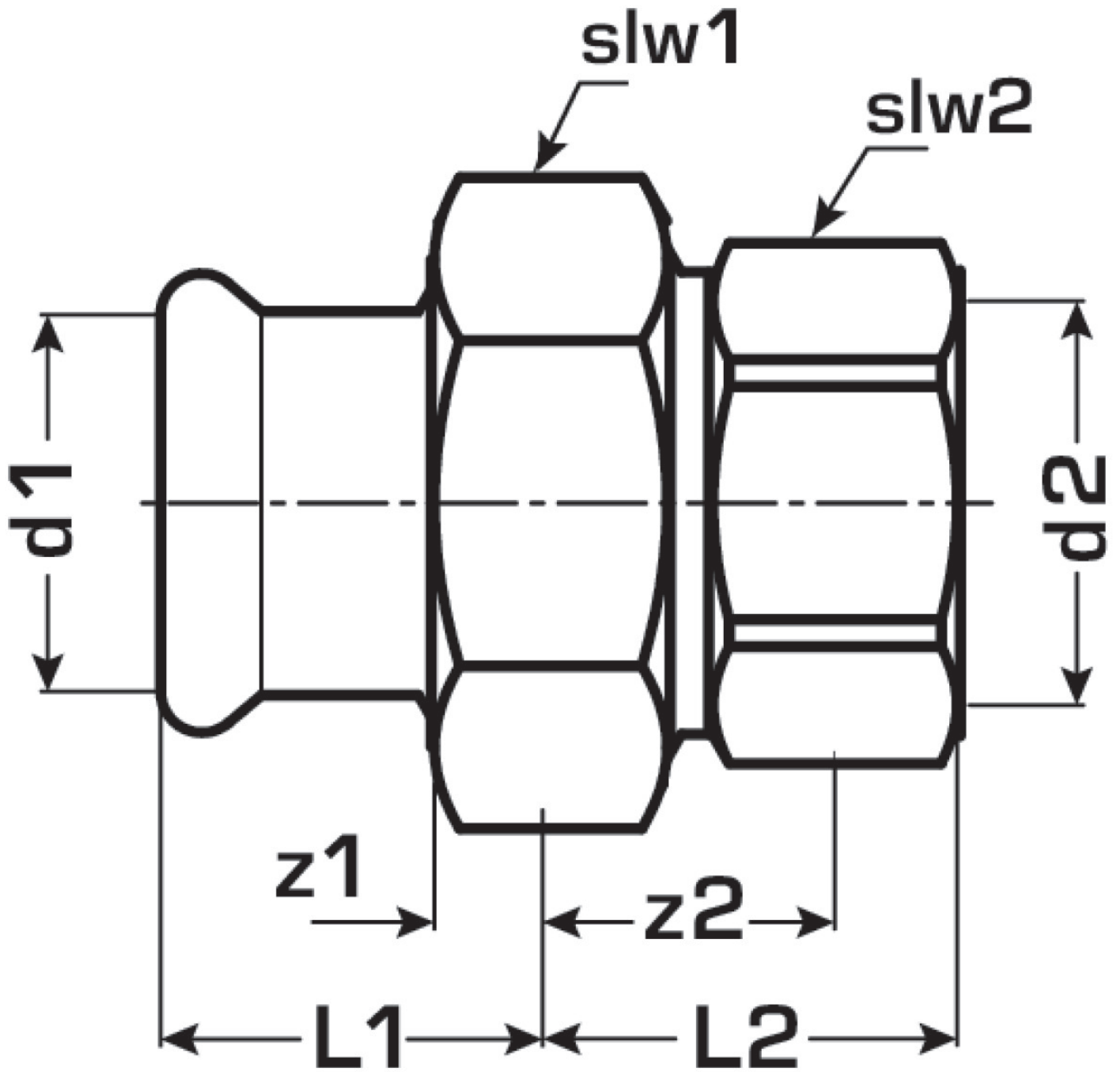
Specifications

Article information

| | |
|---------------|---------------------------------------------------------|
| port 1 | Pressmuffe |
| port 2 | Innengewinde zylindrisch BSPT-Rp (ISO 7-1 / EN 10226-1) |
| execution | 1-teilig |
| design | gerade |
| press contour | M |

Product information

| | |
|---------------------|------------------------------------------------|
| VPE1 | 2 SA1 |
| VPE2 | 40 KT1 |
| weight | 0,11 KGM |
| text | Stainless steel press union with female thread |
| INTRNR | 73072980 |
| main material group | STEELFIX |
| material group | EDELSTAHL pressfittings |
| code | NP466 |



| Art. No | label | d2 | d1 mm | L1 mm | L2 mm | z1 mm | z2 mm | slw1 mm | slw2 mm |
|----------|---------|------------------|-------|-------|-------|-------|-------|---------|---------|
| 53742C02 | 18x1/2" | 1/2 Zoll (15) | 18 | 57 | 28 | 9 | 18 | 30 | 24 |