

STEEL FIX EDELSTAHL

NP471 STEELFIX stainless steel press-fit cap
76,1

53735J00

Areas of application



Press-fit cap made of stainless steel 1.4404, incl. EPDM sealing elements, d15-54 "leak before pressed"

Press contour: M

Approvals:



Specifications

Article information

port 1 Pressmuffe

press contour M

Product information

VPE1 2,00 SA1

VPE2 26,00 KT1

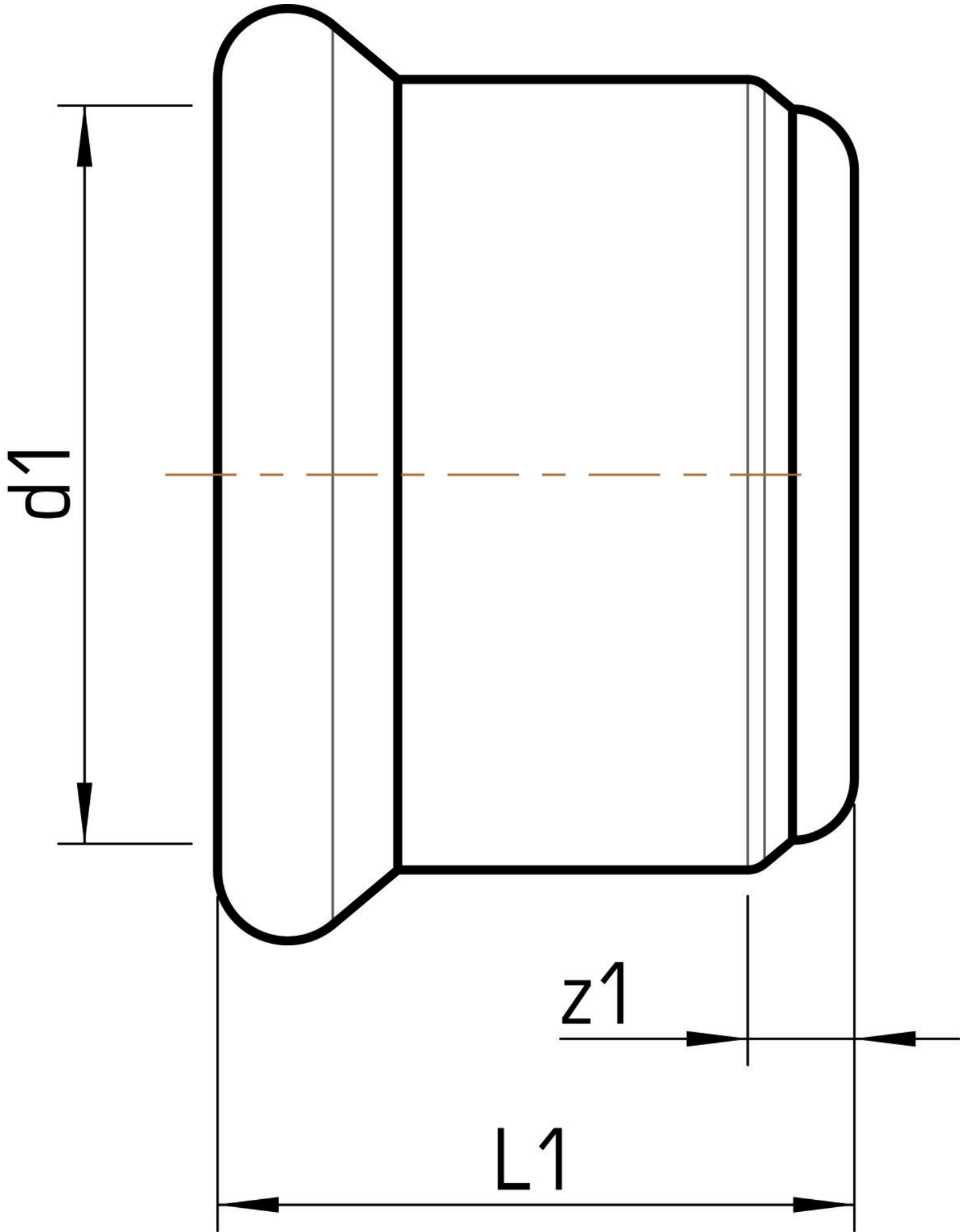
weight 0,427 KGM

text STEELFIX stainless steel press-fit cap

INTRNR 73072980

material group EDELSTAHL pressfittings

code NP471



| Art. No | label | d1 mm | L1 mm | z1 mm |
|----------|-------|-------|-------|-------|
| 53735J00 | 76,1 | 76,1 | 95 | 40 |



KE KELIT GmbH

A 4020 Linz, Ignaz-Mayer-Straße 17, Austria, Europe

PHONE +43 (0) 50 779 **E-MAIL** office@kekelit.com

www.kekelit.com