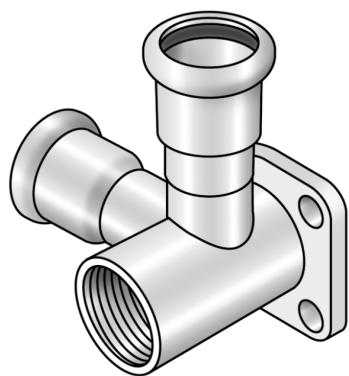


# STEEL FIX EDELSTAHL

NP475 Stainless steel press-fitting connection tee female 15x1/2"

53752B2B

## Areas of application



Press-fitting connection tee, with female thread, made of stainless steel 1.4404, incl. EPDM sealing elements, "not pressed, not sealed"

Press contour: M

## Approvals:



# Specifications

## Article information

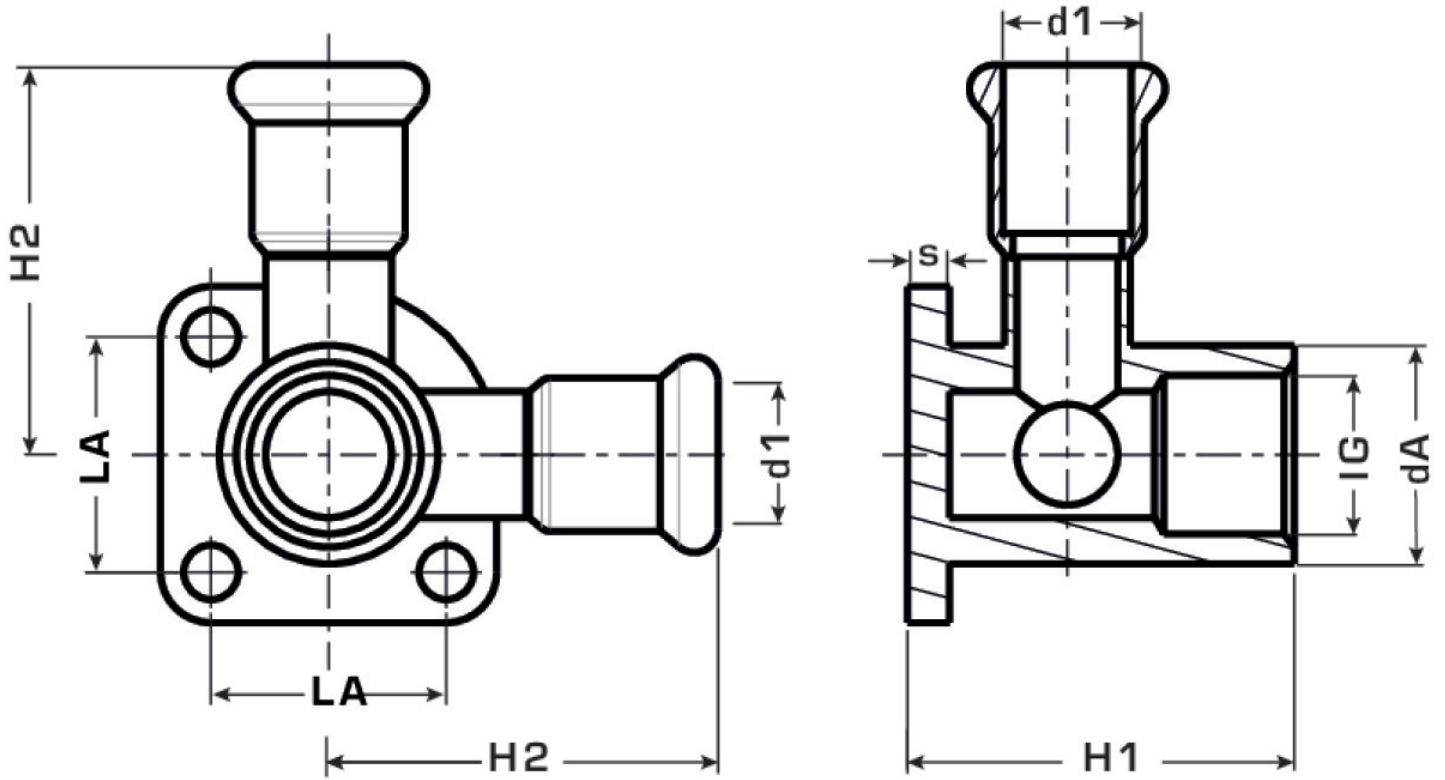
port 1	Pressmuffe
design	Durchgängig rechtwinklig
press contour	M

## Technical properties

maximum working pressure at 20 ° C	16 bar
------------------------------------	--------

## Product information

VPE1	10 SA1
VPE2	30 KT1
weight	0,16 KGM
text	Stainless steel press-fitting connection tee female
INTRNR	73072980
main material group	STEELFIX
material group	EDELSTAHL pressfittings
code	NP475



Art. No	label	d1 mm	L1 mm	L2 mm	L3 mm	z1 mm	z2 mm	z3 mm
53752B2B	15x1/2"	15	54	54	27	39	39	14