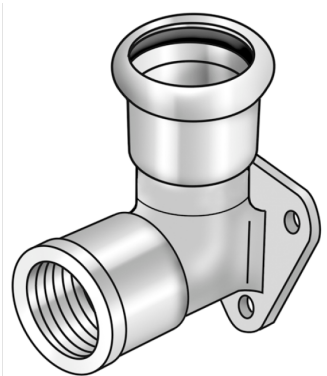


STEEL FIX EDELSTAHL

NP480 Stainless steel press-wall bracket 90°
female 18x1/2"

53750C02

Areas of application



Press-fit wall bracket 90°, with female thread, made of stainless steel 1.4404, incl. EPDM sealing components, "leak before pressed"

Press contour: M

Approvals:



Specifications

Article information

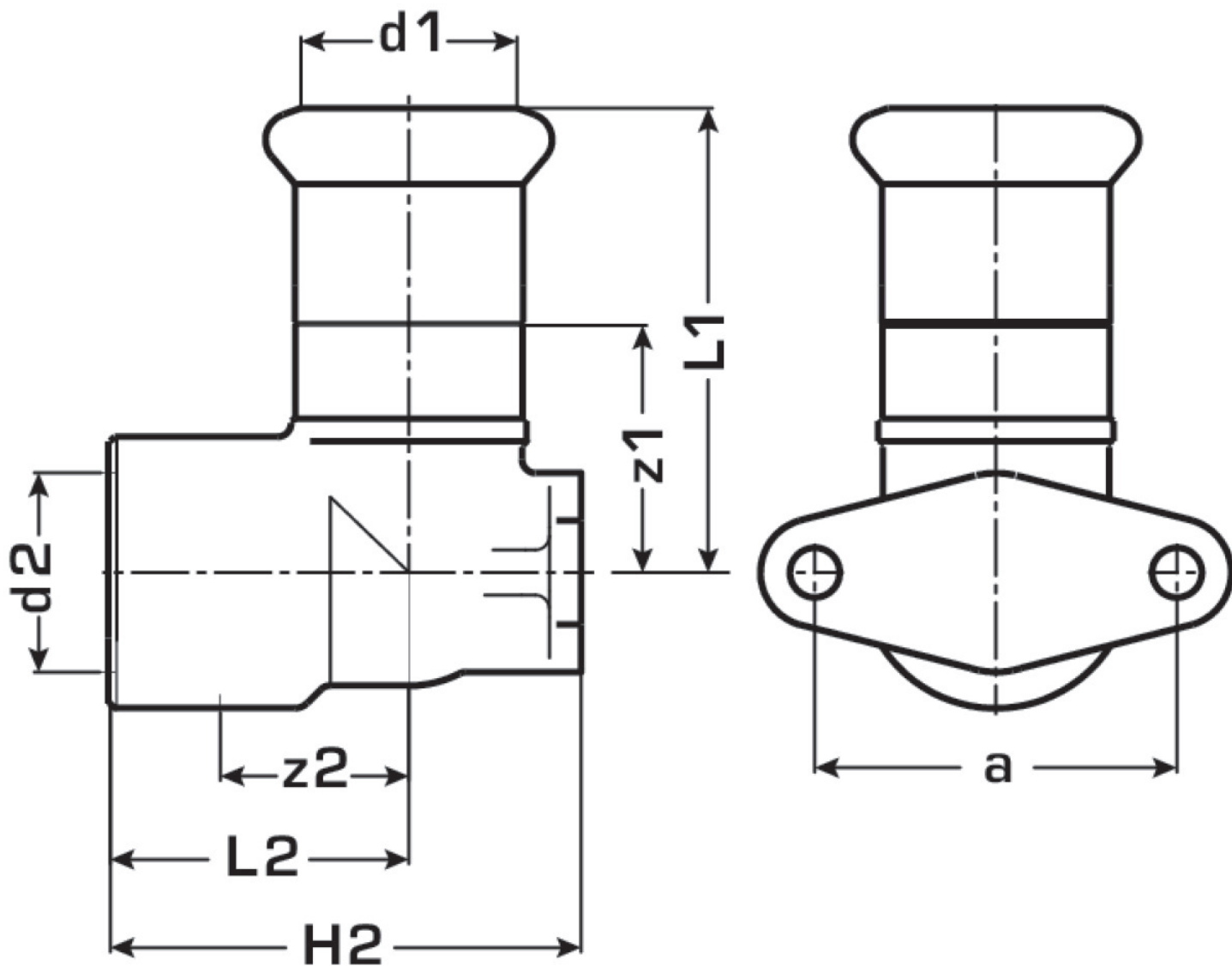
port 1	Pressmuffe
design	rechtwinklig
press contour	M

Technical properties

maximum working pressure at 20 ° C	16 bar
------------------------------------	--------

Product information

VPE1	10 SA1
VPE2	70 KT1
VPE3	1750 DDP
weight	0,146 KGM
text	Stainless steel press-wall bracket 90° female
INTRNR	73072980
main material group	STEELFIX
material group	EDELSTAHL pressfittings
code	NP480



Art. No	label	d1 mm	L1 mm	L2 mm	z1 mm	z2 mm
53750C02	18x1/2"	18	45	28	25	13