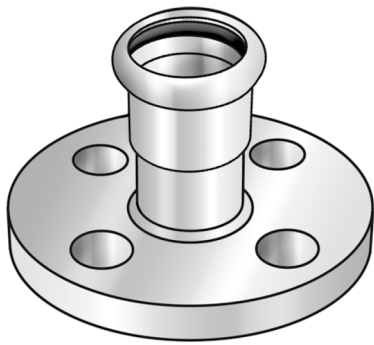


# STEEL FIX EDELSTAHL

NP486 Stainless steel press-adaptor flange  
PN10/16 42-DN40 4-hole

53755G00

## Areas of application



Press-fit adaptor flange, flat-sealing made of stainless steel 1.4404, incl. EPDM sealing components, d15-54 "leak before pressed"

hole circle dimensioning conforming to DIN 2501-PN16

Press contour: M

## Approvals:



# Specifications

## Article information

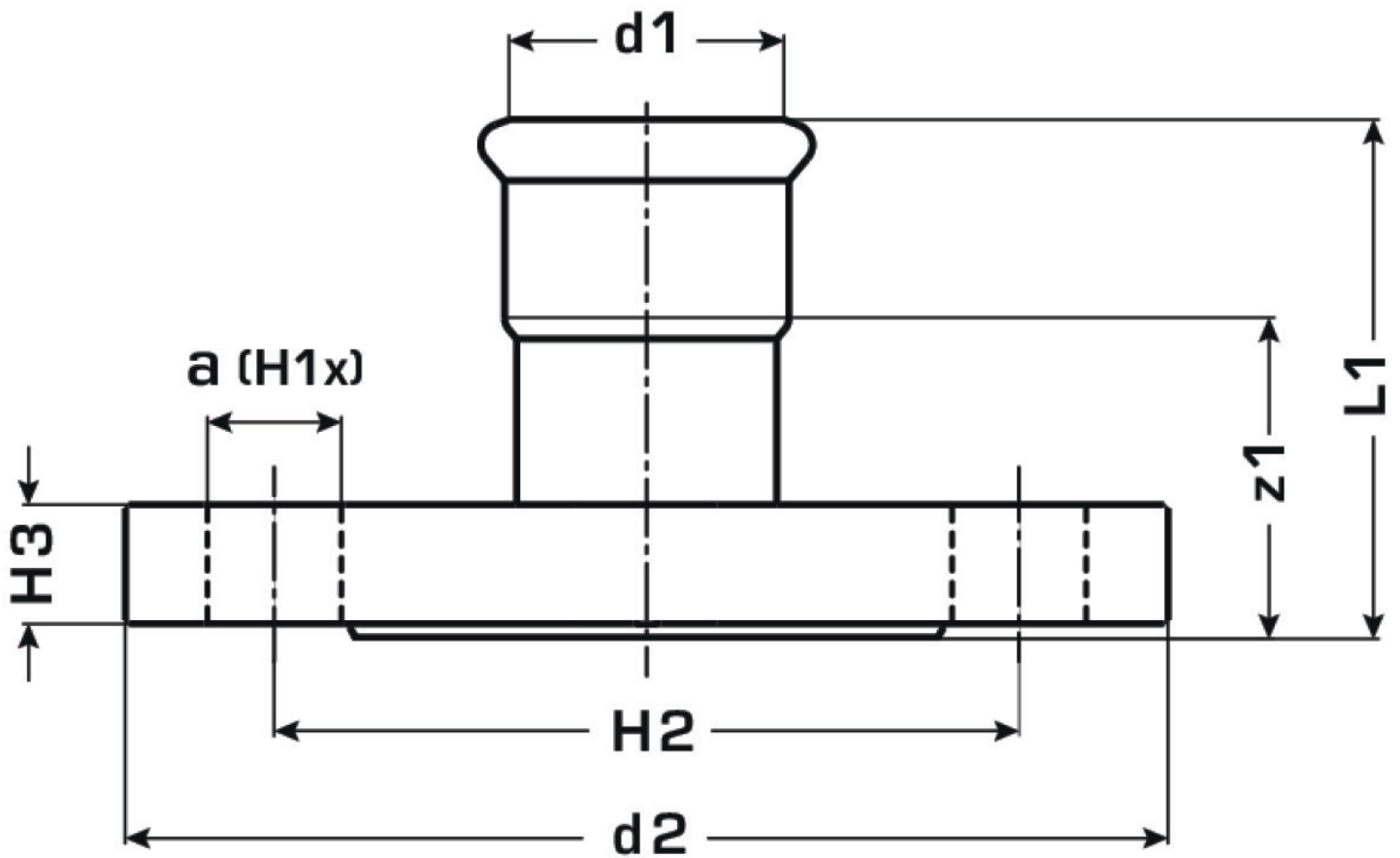
port 1	Pressmuffe
port 2	Flansch
execution	1-teilig
design	gerade
press contour	M

## Technical properties

PN	PN 16
----	-------

## Product information

VPE1	1 SA1
VPE2	2 KT1
VPE3	50 DDP
weight	1,782 KGM
text	Stainless steel press-adaptor flange PN10/16
INTRNR	73072980
main material group	STEELFIX
material group	EDELSTAHL pressfittings
code	NP486



Art. No	label	d1 mm	L1 mm	z1 mm	number of holes	pitch circle diameter mm
53755G00	42-DN40 4-hole	42	77	47	4	110