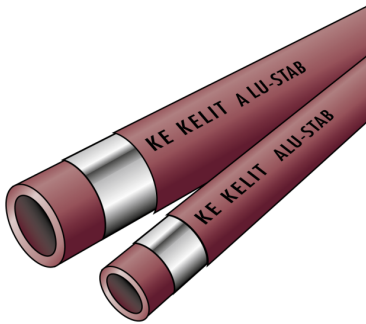


KETRIX

TRI01 KETRIX aluminium composite pipe - PN16 20x2.3

55001D00

Areas of application



KETRIX ALU composite pipe based on EN ISO 15874 oxygen-tight made of polyolefin blend (POB), mechanically stabilising aluminium pipe attached to the outer wall of the medium pipe with a bonding agent and protective layer for COOLING WATER, COLD and COMPRESSED AIR up to 10 bar Area of application: 20°C/16 bar, from -30°C to +40°C/10 bar

Colour: burgundy

Length: 4m

Specifications

Article information

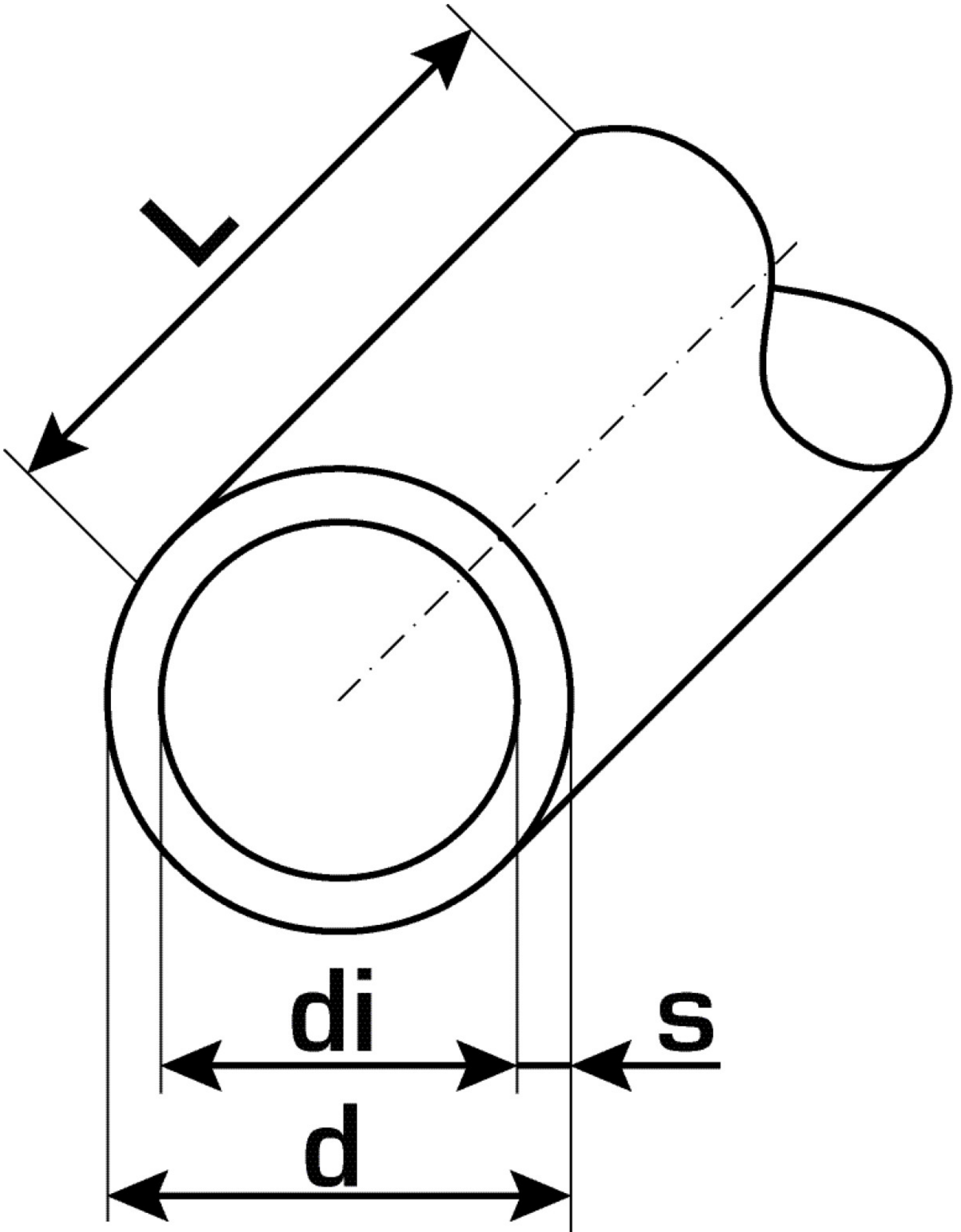
color	Burgundy
trade length	4 m
isolation	No

Technical properties

maximum working pressure at 20 ° C	16 bar
pipe weight	0,18 kg/m
pipe contents	0,19 l/m
lambda pipe	0,24 W/(m.K)
wall rawness	0,007 mm
expansion coefficient	0,030 mm/(m.K)

Product information

DIM2	15,4
VPE1	80,00 BND
L	4 m
weight	0,180 KGM
text	KETRIX aluminium composite pipe - PN16
INTRNR	39172290
main material group	KETRIX
material group	KETRIX pipes
code	TRI01



Art. No	label	d1 mm	pipe contents l/m	s mm
55001D00	20x2.3	20	0,19	2,3



KE KELIT GmbH

A 4020 Linz, Ignaz-Mayer-Straße 17, Austria, Europe

PHONE +43 (0) 50 779 **E-MAIL** office@kekelit.com

www.kekelit.com