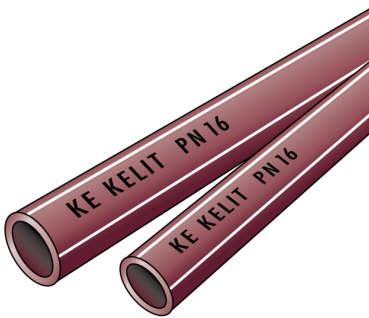


KETRIX

TRI08 KETRIX industrial pipe - PN16 125x17.1

55008M00

Areas of application



KETRIX industrial piping system based on ÖNORM EN ISO 15874 made of polyolefin blend (POB) for COOLING WATER, COLD and COMPRESSED AIR up to 10 bar

Area of application: 20°C/16 bar, from -30°C to +40°C/10 bar

Colour: burgundy with 3 co-extruded white longitudinal lines

Length: 4m

Specifications

Article information

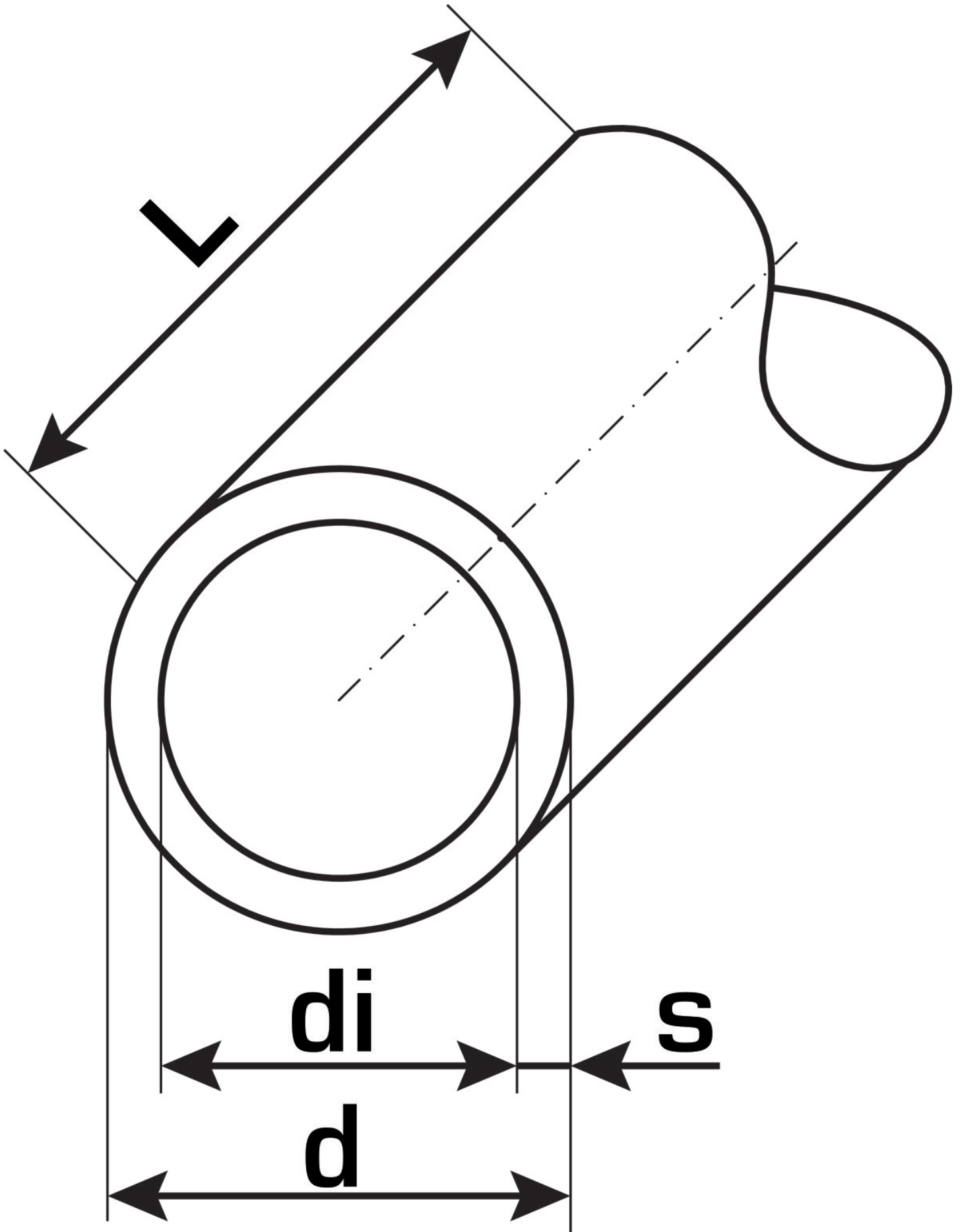
port 1	Pipe end
port 2	Pipe end
color	Burgundy

Technical properties

pipe weight	5,53 kg/m
pipe contents	6,48 l/m
PN	PN 16
lambda pipe	0,24 W/(m.K)
wall rawness	0,007 mm
expansion coefficient	0,14 mm/(m.K)

Product information

DIM2	90,8
VPE1	4,00 STG
L	4 m
weight	6,597 KGM
text	KETRIX industrial pipe - PN16
INTRNR	39172290
main material group	KETRIX
material group	KETRIX pipes
code	TRI08



Art. No	label	d1 mm	pipe contents l/m	s mm
55008M00	125x17.1	125	6,48	17,1



KE KELIT GmbH

A 4020 Linz, Ignaz-Mayer-Straße 17, Austria, Europe

PHONE +43 (0) 50 779 **E-MAIL** office@kekelit.com

www.kekelit.com