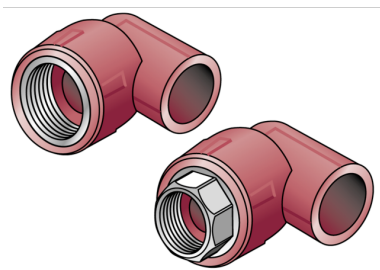


KETRIX

TRI23 KETRIX 90° adapter elbow with female thread 20x1/2"

55216D02

Areas of application



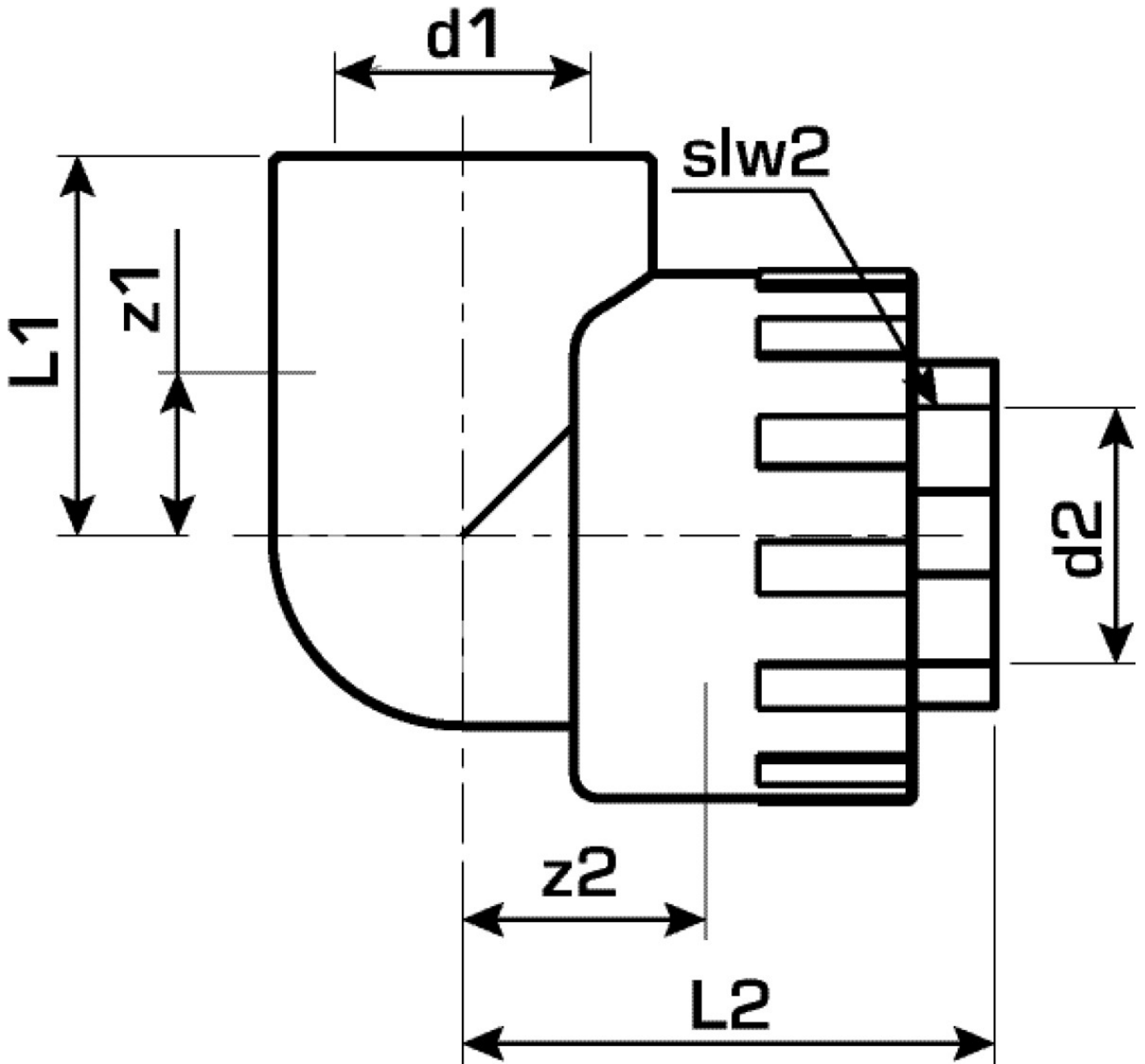
KETRIX polyfusion weld fitting for connecting POB pipes with fittings made of the same material without narrowing the cross-section, with injected male thread made of dezincification-resistant brass and non-porous metal-plating, thread conforms to ÖNORM EN 10226

System parts marked with an "S" are produced with a wrench attachment connection

Do NOT connect to threaded pipes or to cast iron fittings!

Specifications

| Product information | |
|---------------------|---|
| VPE1 | 10,00 SA1 |
| VPE2 | 100,00 KT1 |
| VPE3 | 400,00 KT2 |
| VPE4 | 9600,00 PAL |
| weight | 0,076 KGM |
| text | KETRIX 90° adapter elbow with female thread |
| INTRNR | 39174000 |
| main material group | KETRIX |
| material group | KETRIX metal fittings |
| code | TRI23 |



| Art. No | label |
|----------|---------|
| 55216D02 | 20x1/2" |