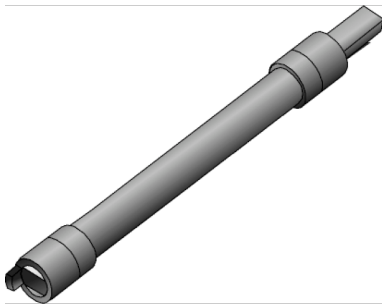


KETRIX

TRI51V KETRIX handle extension for TRI51P 90-110

55234KL0

Areas of application



KETRIX handle extension, comprising: handle coupling, shaft coupling and extension tube for cutting to length

Material: PVC

Length: max. 350mm

Specifications

Product information	
VPE1	1,00 SA1
weight	0,158 KGM
text	KETRIX handle extension for TRI51P
INTRNR	39174000
main material group	KETRIX
material group	KETRIX metal fittings
code	TRI51V

Art. No	label
55234KL0	90-110