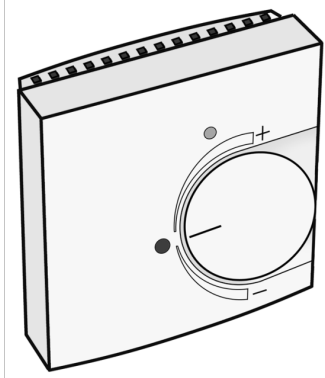


CLIMATE FIX

KC594 CLIMATEFIX temperature controller Heating and cooling 1 or 2 manifolds

6354310

Areas of application



Thermostat for direct activation of thermal motors KM596 (24 V). WITH dew point input, to monitor the dew point of the chilled ceiling WITHOUT using the dew point monitor KC560

Function - heating and cooling with 1 or 2 manifolds:

1-circuit control (2-pipe system) with a manifold for heating and cooling, switching between heating and cooling is performed via an external switching signal (changeover-contact)

Setting 1-circuit control (2 conductors): Jumper 1 WITHOUT bridge

2-circuit control (4-pipe system) with one manifold each for heating and cooling
Setting 2-circuit control (4-pipe system): Jumper 1 WITH bridge (factory setting)

The factory-set zero-point (21°C) can be changed by +/- 8K

Connected voltage: 24 V AC/DC

Colour: white



KE KELIT GmbH

A 4020 Linz, Ignaz-Mayer-Straße 17, Austria, Europe

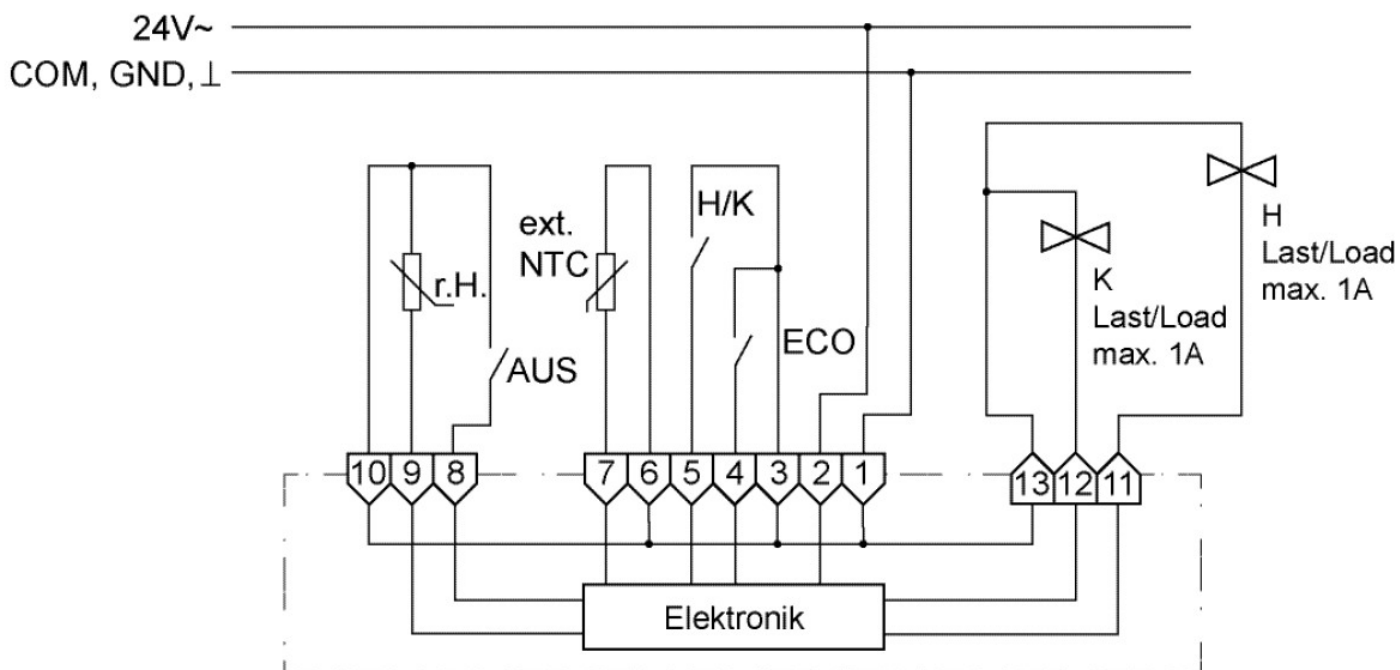
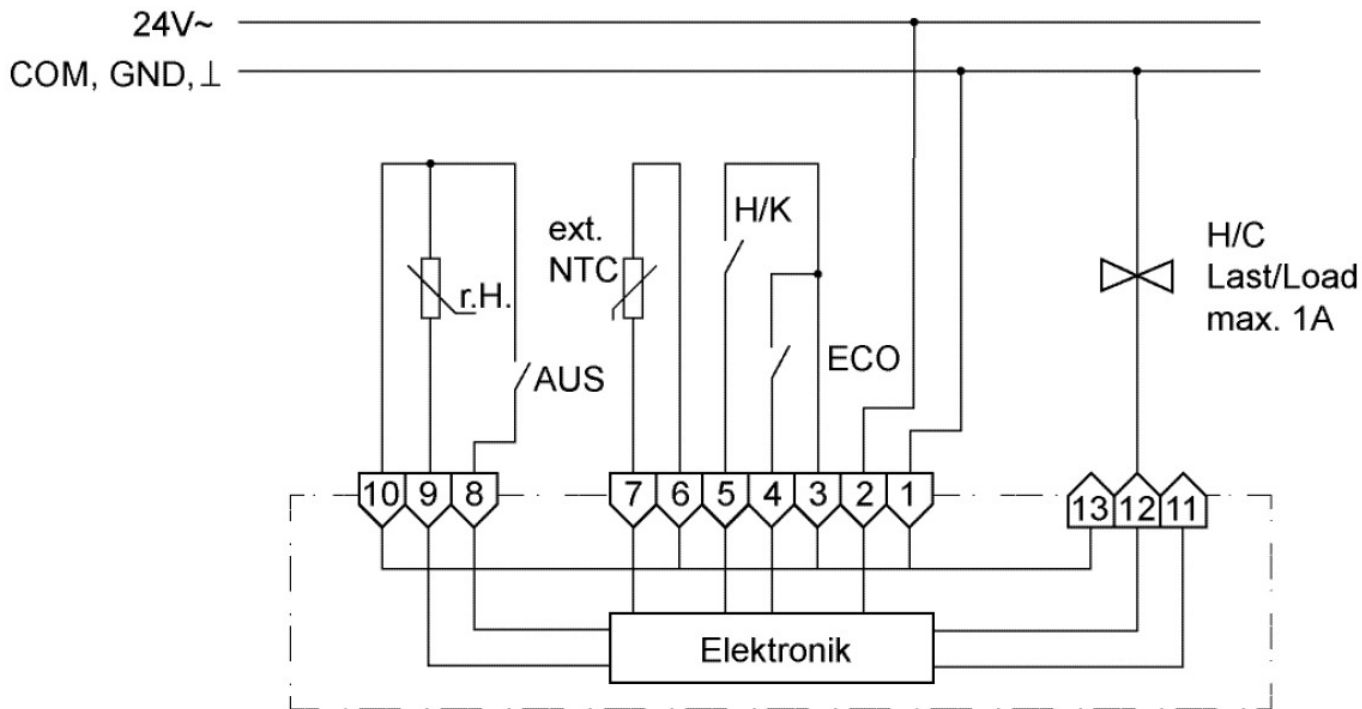
PHONE +43 (0) 50 779 **E-MAIL** office@kekelit.com

www.kekelit.com

Specifications

Product information

VPE1	1,00 KT1
weight	0,130 KGM
text	CLIMATEFIX temperature controller
INTRNR	90321080
main material group	CLIMATEFIX
material group	CLIMATEFIX fittings
code	KC594



Art. No	label
6354310	Heating and cooling 1 or 2 manifolds



KE KELIT GmbH

A 4020 Linz, Ignaz-Mayer-Straße 17, Austria, Europe

PHONE +43 (0) 50 779 **E-MAIL** office@kekelit.com

www.kekelit.com