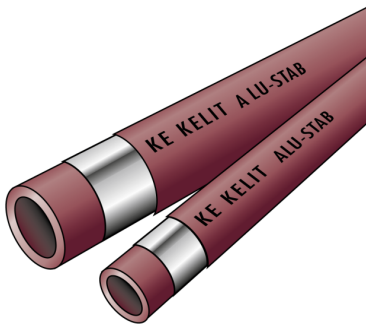


TRI01 KETRIX aluminium composite pipe - PN16 63x7.1

55001I00

Areas of application



KETRIX ALU composite pipe based on EN ISO 15874 oxygen-tight made of polyolefin blend (POB), mechanically stabilising aluminium pipe attached to the outer wall of the medium pipe with a bonding agent and protective layer for COOLING WATER, COLD and COMPRESSED AIR up to 10 bar Area of application: 20°C/16 bar, from -30°C to +40°C/10 bar

Colour: burgundy

Length: 4m

Specifications

Article information

color Burgundy

trade length 4 m

isolation No

Technical properties

maximum working pressure at 20 ° C 16 bar

pipe weight 1,45 kg/m

pipe contents 1,87 l/m

lambda pipe 0,24 W/(m.K)

wall rawness 0,007 mm

expansion coefficient 0,030 mm/(m.K)

Product information

DIM2 48,8

VPE1 12,00 BND

L 4 m

weight 1,450 KGM

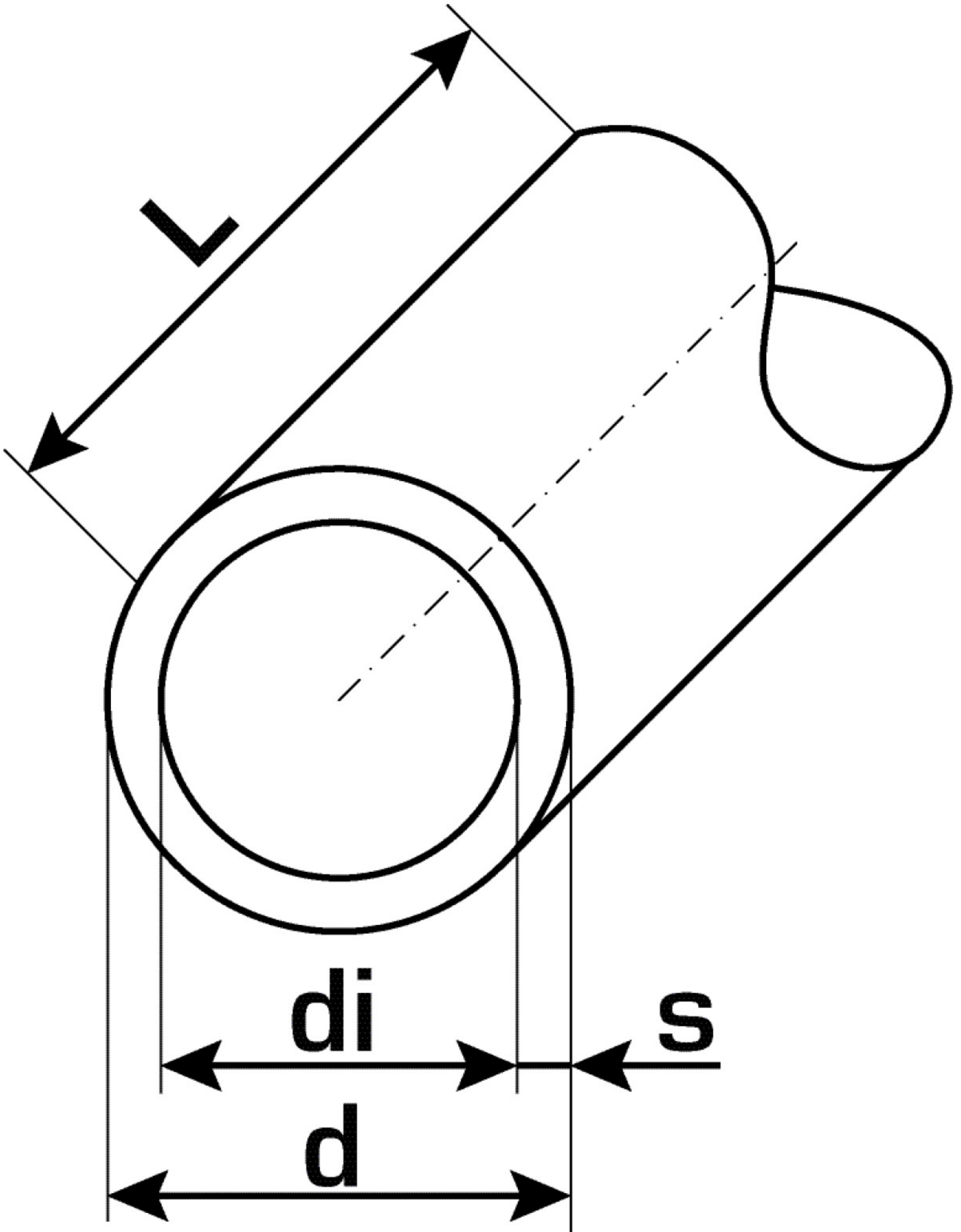
text KETRIX aluminium composite pipe - PN16

INTRNR 39172290

main material group KETRIX

material group KETRIX pipes

code TRI01



Art. No	label	d1 mm	pipe contents l/m	s mm
55001100	63x7.1	63	1,87	7,1



KE KELIT GmbH

A 4020 Linz, Ignaz-Mayer-Straße 17, Austria, Europe

PHONE +43 (0) 50 779 **E-MAIL** office@kekelit.com

www.kekelit.com