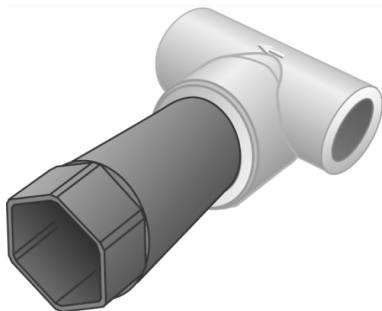


# TRI50P KETRIX shut-off valve with stopper 32x3/4"

55227F04

## Areas of application

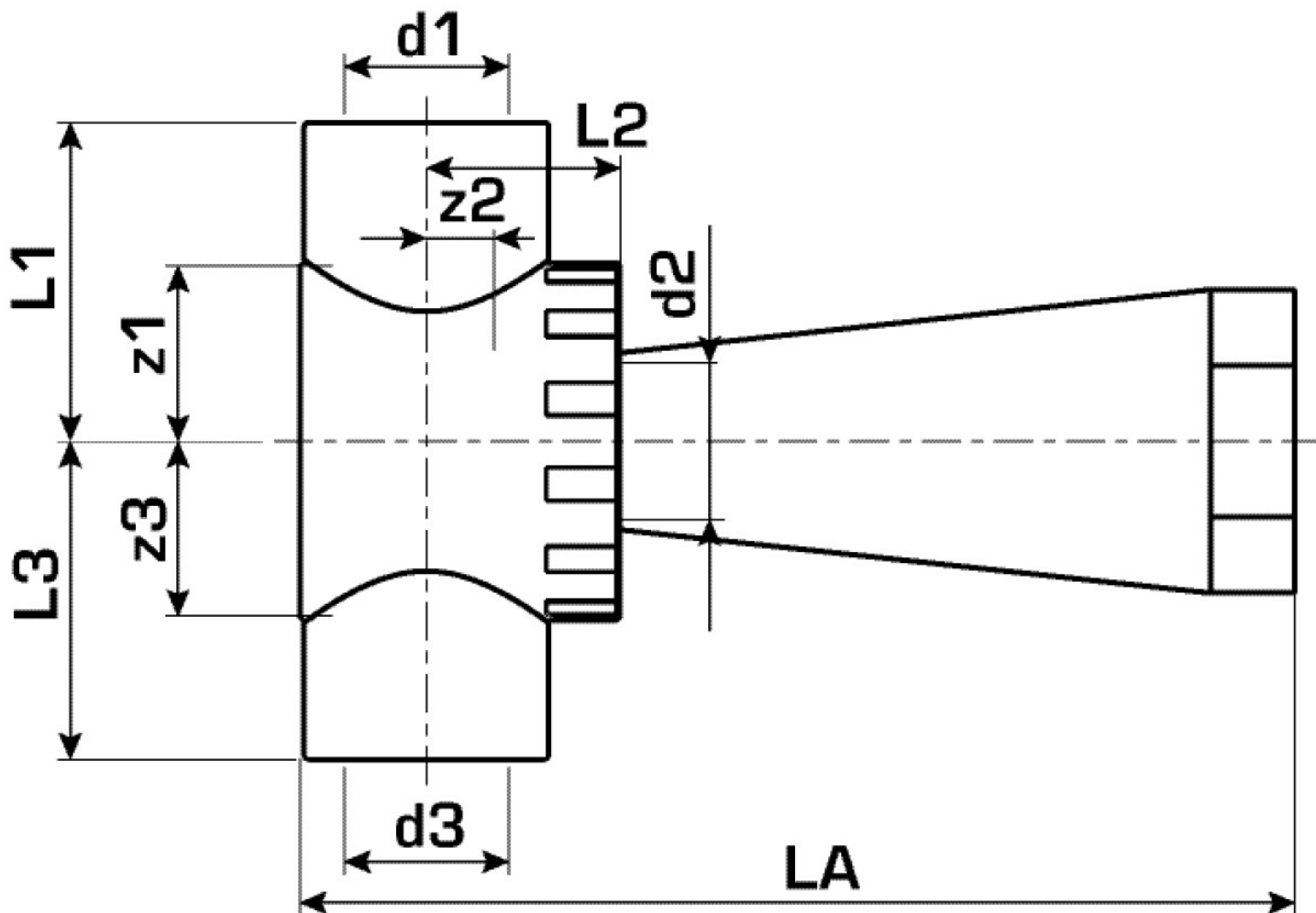


KETRIX polyfusion welding fitting for connecting POB pipes with fittings made of the same material (no reduction of internal diameter), shut-off valve with plastic seat incl. stopper

Compatible with: K50C 3/4" and K50F 3/4"

# Specifications

Product information	
VPE1	1,00 SA1
VPE2	15,00 KT1
VPE3	60,00 KT2
VPE4	1440,00 PAL
weight	0,203 KGM
text	KETRIX shut-off valve with stopper
INTRNR	39174000
main material group	KETRIX
material group	KETRIX metal fittings
code	TRI50P



Art. No	label
55227F04	32x3/4"