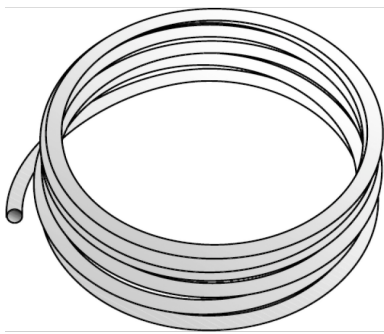


KELOX

KUC100 KELOX-ECO pipe 32x3

7033220

Areas of application



?KELOX-ECO solid-wall pipe as per ÖNORM EN ISO 22391 made from PE-RT Type 2.

Classification of operating conditions according to ÖNORM EN ISO 22391

Cold water area of application: 20 °C - 10 bar

Warm water application range: 60°C - 6 bar

Colour: white

Supplied in coils

Approvals:



KE KELIT GmbH

A 4020 Linz, Ignaz-Mayer-Straße 17, Austria, Europe

PHONE +43 (0) 50 779 **E-MAIL** office@kekelit.com

www.kekelit.com

Specifications

Article information

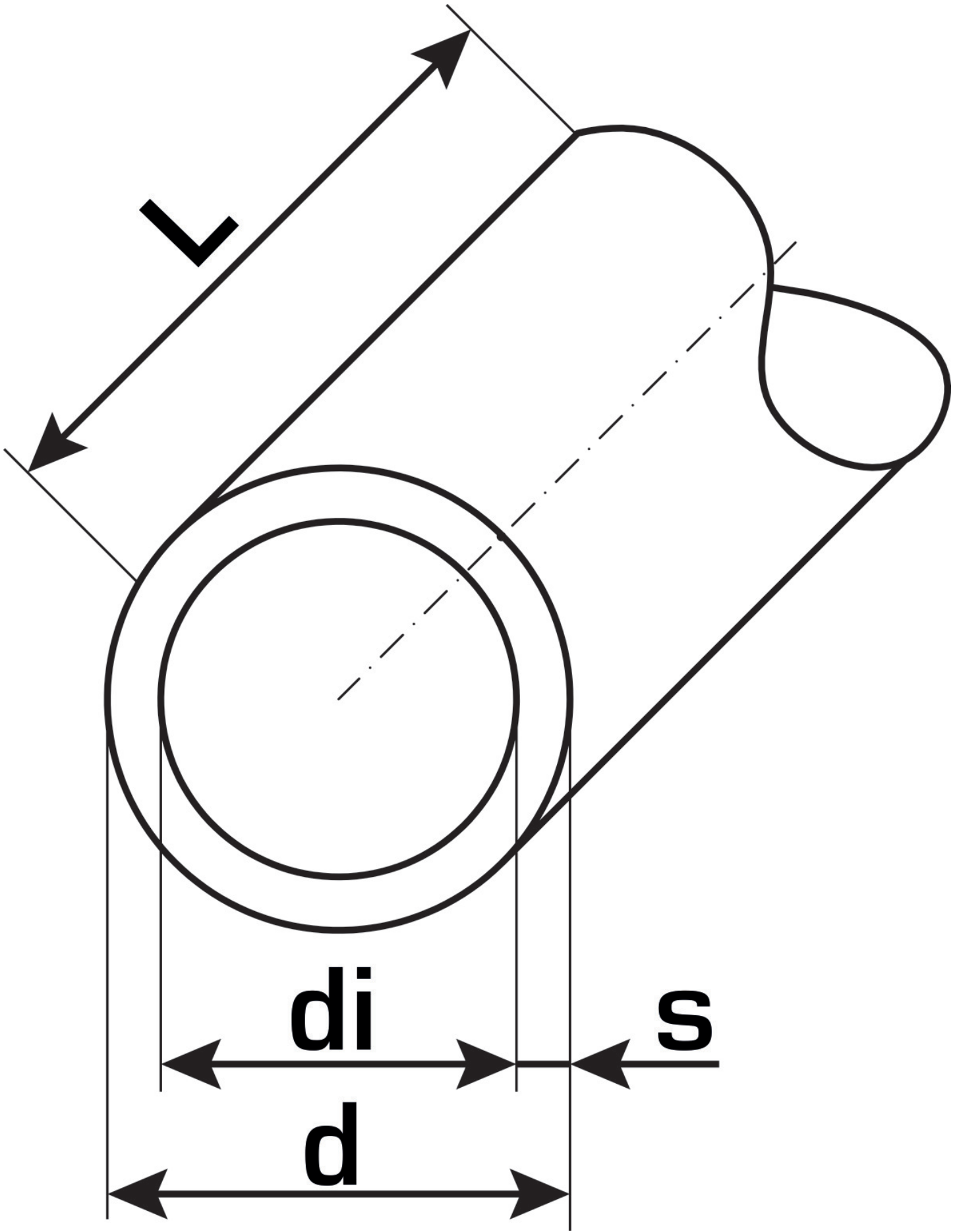
color	white
flexible	Yes
trade length	50 m
isolation	No

Technical properties

maximum working pressure at 20 ° C	10 bar
pipe weight	0,260 kg/m
pipe contents	0,531 l/m
lambda pipe	0,40 W/(m.K)
wall rawness	0,007 mm
expansion coefficient	0,19 mm/(m.K)

Product information

VPE1	50,00 ROL
VPE2	500,00 PAL
L	50 m
weight	0,260 KGM
text	KELOX-ECO pipe
INTRNR	39173900
main material group	KELOX
material group	KELOX pipes
code	KUC100



Art. No	label	d1 mm	pipe contents l/m	s mm
7033220	32x3	32	0,531	3



KE KELIT GmbH

A 4020 Linz, Ignaz-Mayer-Straße 17, Austria, Europe

PHONE +43 (0) 50 779 **E-MAIL** office@kekelit.com

www.kekelit.com