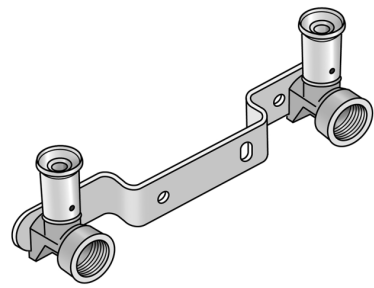


# KELOX

KMU485K KELOX-ULTRAX connection set,  
shortened 16x1/2" 15cm

74268B02

## Areas of application



KELOX connection set with KMU480K wall bracket fitting 90° with metal bar of galvanised steel,  
alignment of wall bracket fittings adjustable.

DO NOT screw in threaded pipes and malleable cast iron fittings!

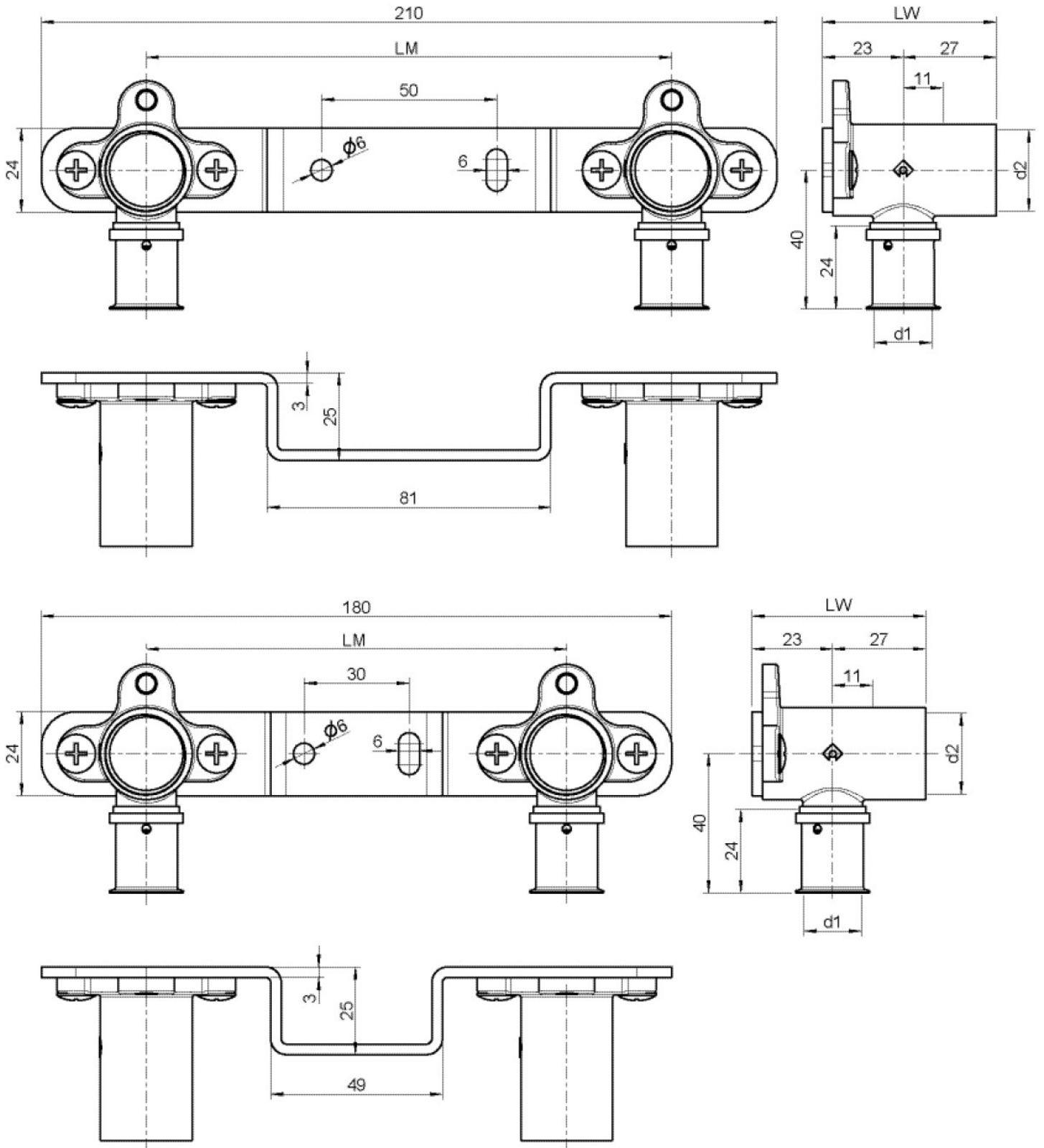
# Specifications

## Article information

port 1	Pressmuffe
execution	Doppel Brücke

## Product information

VPE1	1,00 SA1
VPE2	20,00 KT1
weight	0,370 KGM
text	?KELOX-ULTRAX connection set, shortened
INTRNR	74122000
main material group	KELOX
material group	KELOX-ULTRAX metal fittings
code	KMU485K



Art. No	label	d1 mm
74268B02	16x1/2" 15cm	16



**KE KELIT GmbH**

A 4020 Linz, Ignaz-Mayer-Straße 17, Austria, Europe

**PHONE** +43 (0) 50 779 **E-MAIL** [office@kekelit.com](mailto:office@kekelit.com)

[www.kekelit.com](http://www.kekelit.com)