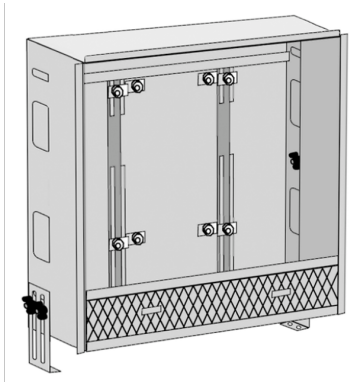


KELOX_{FB}

KM570F KELOX manifold cabinet body 110 1-4
L: 460mm

9000510

Areas of application



?Sendzimir-galvanised sheet steel cabinet can be connected from below or at the side; height-adjustable feet; surface-or flush-mounted visible part can be retrofitted. Suitable for installing the KM651 KELOX FB fixed value regulator set. Space for straight or 90° connection sets KM593E as well as KM591E 90° elbow taken into account. Number of manifold outlets matched to KM590E and KMP590M KELOX FB manifold, brass!

Plaster trim element below cabinet, Width: 120mm

Cabinet depth: 110mm

Installation height: 600mm above finished floor

Specifications

Product information

| | |
|---------------|---------------------------------|
| VPE1 | 1,00 KT1 |
| weight | 6,300 KGM |
| text | KELOX manifold cabinet body 110 |
| INTRNR | 84818099 |
| code | KM570F |

| Art. No | label | t mm |
|----------------|--------------|-------------|
| 9000510 | 1-4 L: 460mm | 110 |