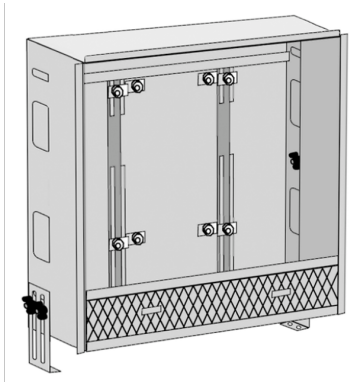


# KELOX<sub>FB</sub>

KM570F KELOX manifold cabinet body 110  
Special size L: 1150mm

9000810

## Areas of application



?Sendzimir-galvanised sheet steel cabinet can be connected from below or at the side; height-adjustable feet; surface-or flush-mounted visible part can be retrofitted. Suitable for installing the KM651 KELOX FB fixed value regulator set. Space for straight or 90° connection sets KM593E as well as KM591E 90° elbow taken into account. Number of manifold outlets matched to KM590E and KMP590M KELOX FB manifold, brass!

Plaster trim element below cabinet, Width: 120mm

Cabinet depth: 110mm

Installation height: 600mm above finished floor

# Specifications

## Product information

<b>VPE1</b>	1,00 KT1
<b>weight</b>	12,950 KGM
<b>text</b>	KELOX manifold cabinet body 110
<b>INTRNR</b>	84818099
<b>code</b>	KM570F

<b>Art. No</b>	<b>label</b>	<b>t mm</b>
9000810	Special size L: 1150mm	110