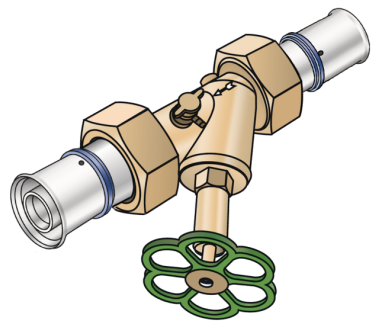


KELOX

KMU452 KELOX-ULTRAX slanted-seat valve 40-DN32

71233GG0

Areas of application



Slanted-seat valve with ULTRAX press-fit threaded unions KMU455 top part free of dead space, flat-sealing incl. seal and drain outlet "leak before pressed"

Approvals:



KE KELIT GmbH

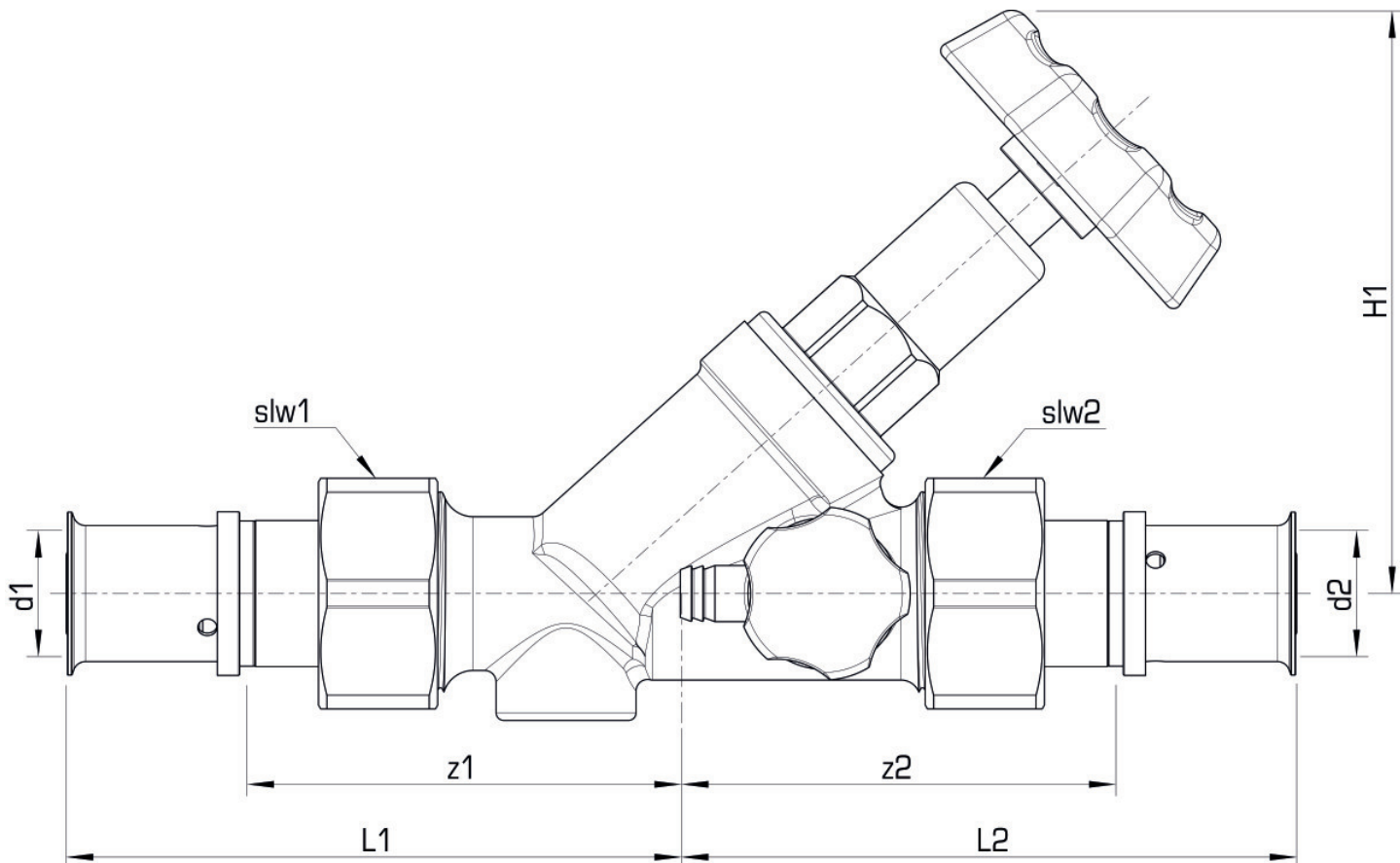
A 4020 Linz, Ignaz-Mayer-Straße 17, Austria, Europe

PHONE +43 (0) 50 779 E-MAIL office@kekelit.com

www.kekelit.com

Specifications

| Product information | |
|---------------------|---------------------------------|
| VPE1 | 1,00 SA1 |
| VPE2 | 5,00 KT1 |
| weight | 2,337 KGM |
| text | KELOX-ULTRAX slanted-seat valve |
| INTRNR | 74122000 |
| main material group | KELOX |
| material group | KELOX-ULTRAX metal fittings |
| code | KMU452 |



| Art. No | label |
|----------|---------|
| 71233GG0 | 40-DN32 |