

KELOX

KMP450X KELOX-PROTEC CLIX adapter with male thread 16x1/2"

730202B02

Areas of application



Plug-in adapter with male thread for sealing, made of high-quality dezincification-resistant brass (DZR), incl. support sleeves with insertion click noise, as well as haptic and optical insertion indicator, O-rings, withdrawal barriers and protector ring as insertion locking device

Approvals:



Specifications

Article information

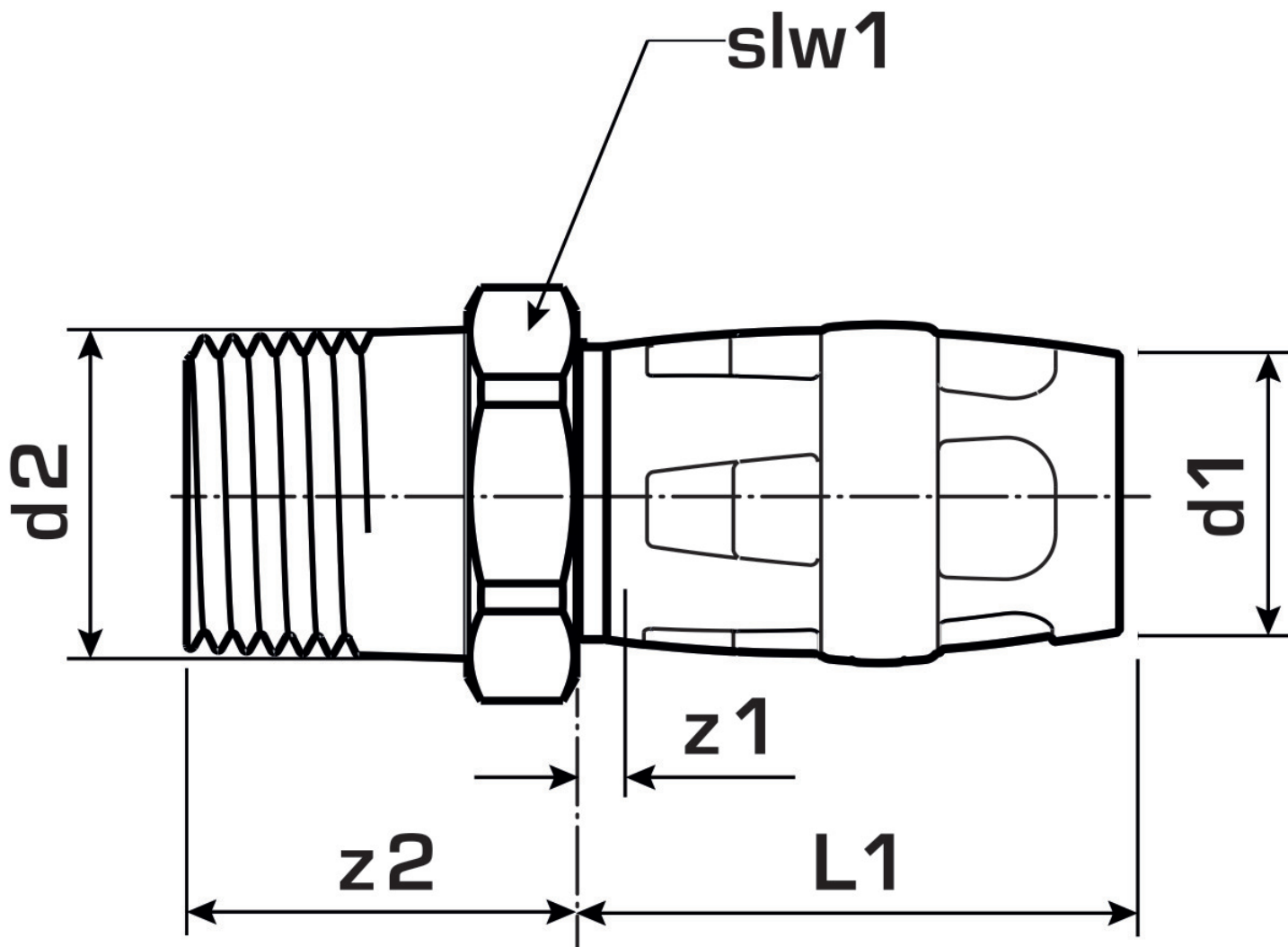
port 1	Plug-in
port 2	Female thread cylindrical BSPT-Rp (ISO 7-1)
execution	Miscellaneous
design	Straight

Technical properties

maximum working pressure at 20 ° C	10 bar
------------------------------------	--------

Product information

VPE1	10,00 SA1
VPE2	180,00 KT1
weight	0,067 KGM
text	KELOX-PROTEC CLIX adapter with male thread
INTRNR	74122000
main material group	KELOX
material group	KELOX-PROtec pushfittings
code	KMP450X



Art. No	label	d2	d1 mm	L1 mm	z1 mm	z2 mm	slw1 mm
730202B02	16x1/2"	1/2" (15)	16	28	3	33	24