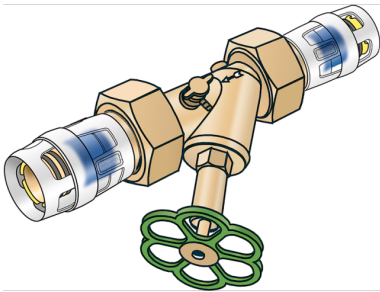


KELOX

KMP452X KELOX-PROTEC CLIX slanted-seat valve 20-DN15

730233DD0

Areas of application



Slanted-seat valve with PROTEC CLIX plug-in threaded unions KMP455 top part free of dead space, flat-sealing incl. seal and drain outlet

Approvals:



KE KELIT GmbH

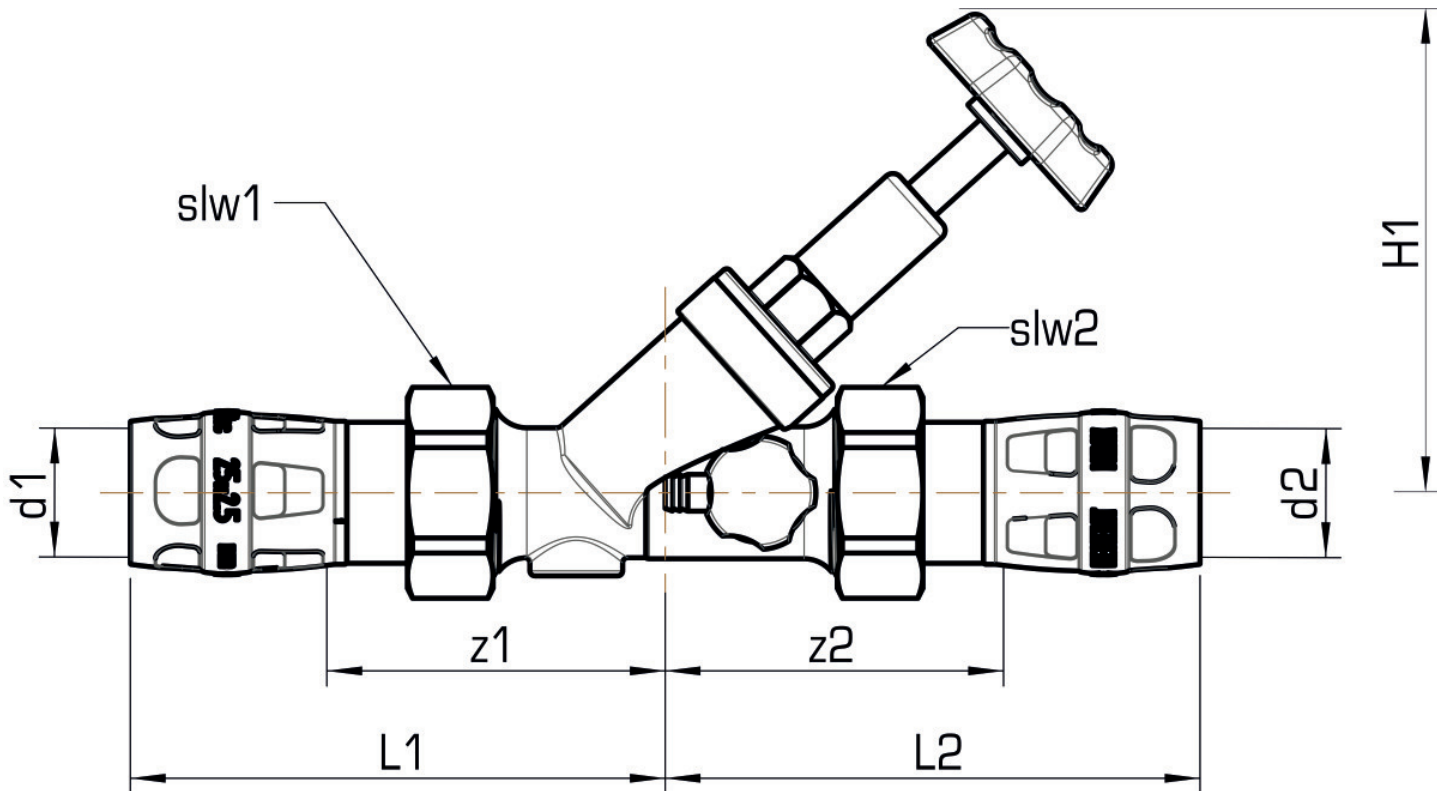
A 4020 Linz, Ignaz-Mayer-Straße 17, Austria, Europe

PHONE +43 (0) 50 779 E-MAIL office@kekelit.com

www.kekelit.com

Specifications

| Product information | |
|---------------------|--------------------------------------|
| VPE1 | 1,00 SA1 |
| VPE2 | 10,00 KT1 |
| weight | 0,560 KGM |
| text | KELOX-PROTEC CLIX slanted-seat valve |
| INTRNR | 74122000 |
| main material group | KELOX |
| material group | KELOX-PROtec pushfittings |
| code | KMP452X |



| Art. No | label | L1 mm | L2 mm | z1 mm | z2 mm | slw1 | slw2 |
|-----------|---------|-------|-------|-------|-------|------|------|
| 730233DD0 | 20-DN15 | 93 | 93 | 60 | 60 | 30 | 30 |