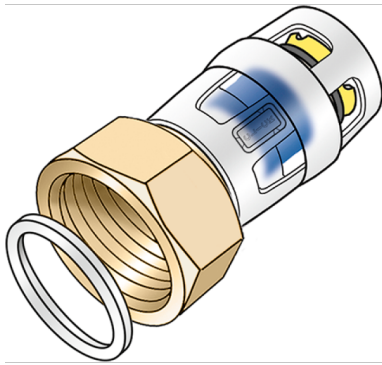


# KELOX

## KMP455X KELOX-PROTEC CLIX screw fitting with female thread 16x1/2"

730203B02

### Areas of application



Plug-in screw fitting with female thread for connecting to fittings, e.g. filters, manifolds, pumps,..... made of dezincification-resistant brass (DZR), incl. push-on sleeve made of transparent polyamide with insertion click noise, as well as haptic and optical insertion indicator, O-rings, withdrawal barriers and protector ring as insertion locking device, flat-sealing incl. seal

## Approvals:



# Specifications

## Article information

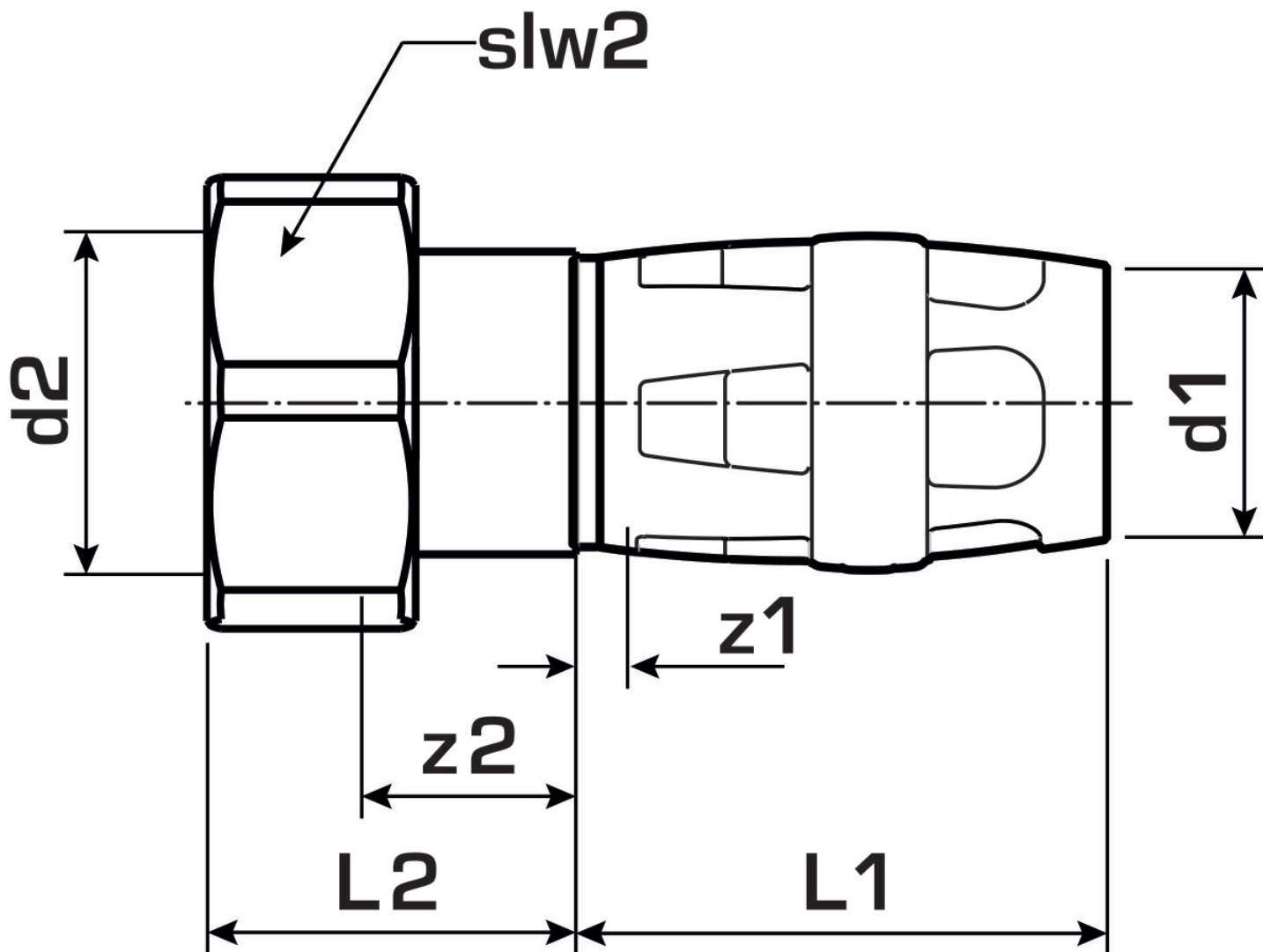
|        |   |
|--------|---|
| port 1 | Plug-in                                     |
| port 2 | Female thread cylindrical BSPT-Rp (ISO 7-1) |
| design | Straight                                    |

## Technical properties

|                                    |        |
|------------------------------------|--------|
| maximum working pressure at 20 ° C | 10 bar |
|------------------------------------|--------|

## Product information

|                     |  |
|---------------------|--|
| VPE1                | 10,00 SA1  |
| VPE2                | 200,00 KT1   |
| weight              | 0,052 KGM  |
| text                | KELOX-PROTEC CLIX screw fitting with female thread |
| INTRNR              | 74122000   |
| main material group | KELOX  |
| material group      | KELOX-PROtec pushfittings                          |
| code                | KMP455X  |



| Art. No   | label   | d2        | d1 mm | L1 mm | L2 mm | z1 mm | z2 mm | slw2 mm |
|-----------|---------|-----------|-------|-------|-------|-------|-------|---------|
| 730203B02 | 16x1/2" | 1/2" (15) | 16    | 36    | 23    | 4     | 13    | 24      |