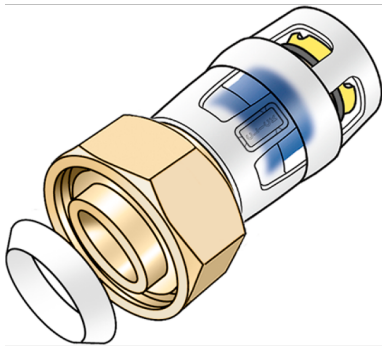


KELOX

KMP455KX KELOX-PROTEC CLIX screw fitting with female thread & wedge seal 25x3/4"

730204E04

Areas of application



Plug-in screw fitting with female thread for connection to fittings, or threaded nipples made of dezincification-resistant brass (DZR), including support sleeves with insertion click noise, as well as haptic and optical insertion indicator, O-rings, withdrawal barriers and protector ring as insertion locking device, incl. wedge seal

Approvals:



Specifications

Article information

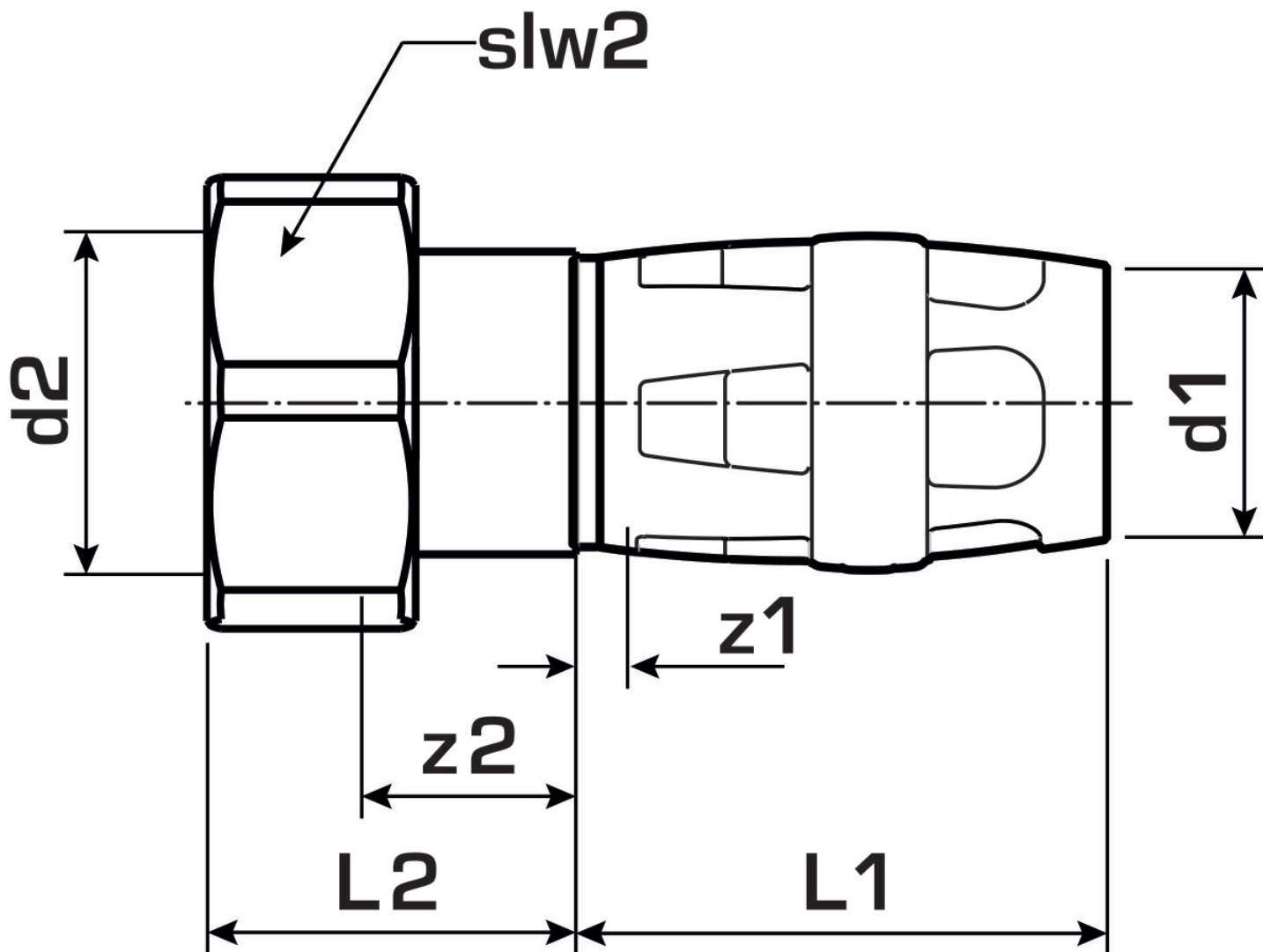
| | |
|--------|---|
| port 1 | Plug-in |
| port 2 | Female thread cylindrical BSPT-Rp (ISO 7-1) |
| design | Straight |

Technical properties

| | |
|------------------------------------|--------|
| maximum working pressure at 20 ° C | 10 bar |
|------------------------------------|--------|

Product information

| | |
|---------------------|---|
| VPE1 | 10,00 SA1 |
| VPE2 | 100,00 KT1 |
| weight | 0,130 KGM |
| text | KELOX-PROTEC CLIX screw fitting with female thread & wedge seal |
| INTRNR | 74122000 |
| main material group | KELOX |
| material group | KELOX-PROtec pushfittings |
| code | KMP455KX |



| Art. No | label | d2 | d1 mm | L1 mm | L2 mm | z1 mm | z2 mm | slw1 | slw2 mm |
|-----------|---------|-----------|-------|-------|-------|-------|-------|------|---------|
| 730204E04 | 25x3/4" | 3/4" (20) | 25 | 42,5 | 30 | 4 | 26 | 30 | 29 |