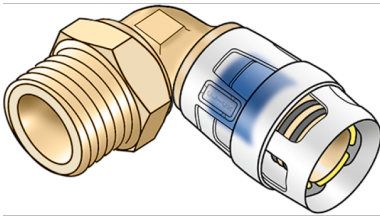


KELOX

KMP460X KELOX-PROTEC CLIX adapter elbow 90° with male thread 16x1/2"

730212B02

Areas of application



Plug-in elbow adapter with male thread for sealing, made of dezincification-resistant brass (DZR), incl. support sleeves with insertion click noise, as well as haptic and optical insertion indicator, O-rings, withdrawal barriers and protector ring as insertion locking device

Approvals:



KE KELIT GmbH

A 4020 Linz, Ignaz-Mayer-Straße 17, Austria, Europe

PHONE +43 (0) 50 779 E-MAIL office@kekelit.com

www.kekelit.com

Specifications

Article information

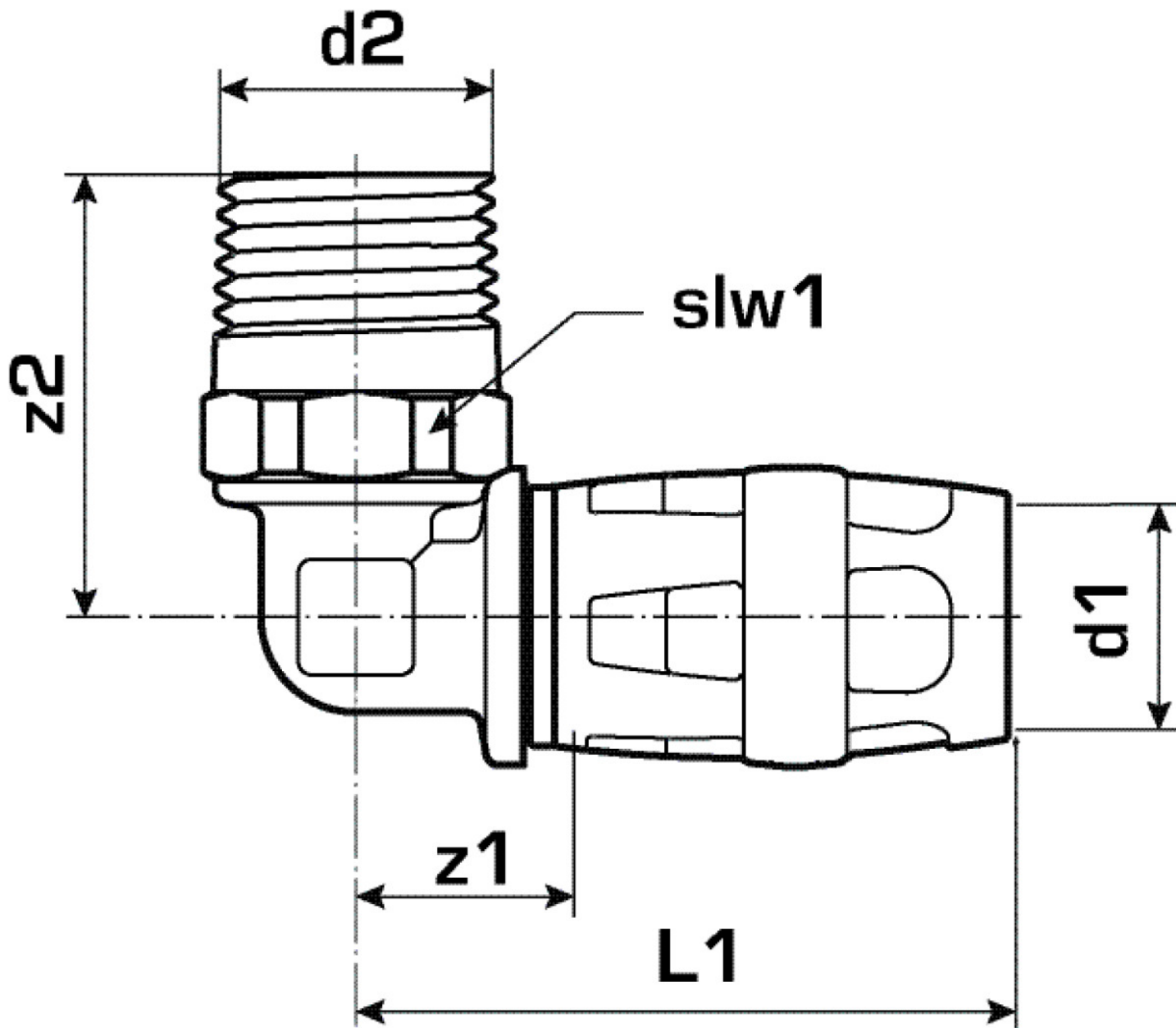
| | |
|--------|---|
| port 1 | Plug-in |
| port 2 | Male thread conical (NPT) conical (NPT) |
| design | Knee |
| angle | 90 ° |

Technical properties

| | |
|------------------------------------|--------|
| maximum working pressure at 20 ° C | 10 bar |
|------------------------------------|--------|

Product information

| | |
|---------------------|--|
| VPE1 | 10,00 SA1 |
| VPE2 | 180,00 KT1 |
| weight | 0,079 KGM |
| text | KELOX-PROTEC CLIX adapter elbow 90° with male thread |
| INTRNR | 74122000 |
| main material group | KELOX |
| material group | KELOX-PROtec pushfittings |
| code | KMP460X |



| Art. No | label | d2 Zoll | d1 mm | L1 mm | L2 mm | z1 mm | z2 mm | slw1 mm |
|-----------|---------|------------------|-------|-------|-------|-------|-------|---------|
| 730212B02 | 16x1/2" | 1/2 Zoll (15) | 16 | 48,5 | 33,5 | 15,5 | 33 | 21 |