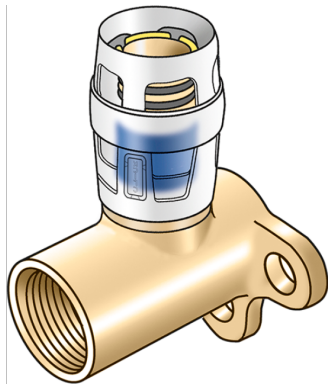


# KELOX

## KMP480X KELOX-PROTEC CLIX wall bracket fitting with female thread 16x1/2"

730250B02

### Areas of application



Plug-in wall bracket fitting with female thread, made of non-porous dezincification-resistant (DZR) brass, including support sleeves with insertion click noise, as well as haptic and optical insertion indicator, O-rings, withdrawal barriers and a protector ring as an insertion locking device

Overall height:

1/2" - 46mm

3/4" - 49mm

DO NOT screw in any threaded pipes and cast iron fittings!

## Approvals:



# Specifications

## Article information

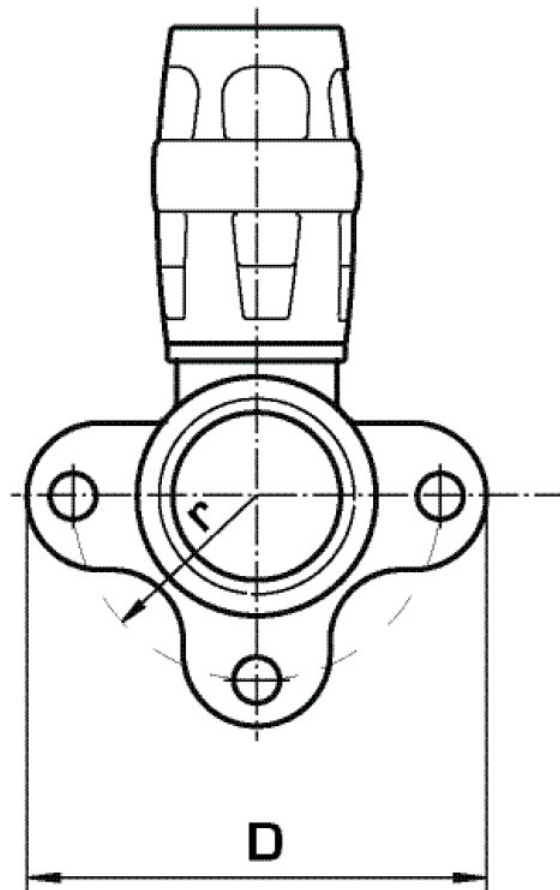
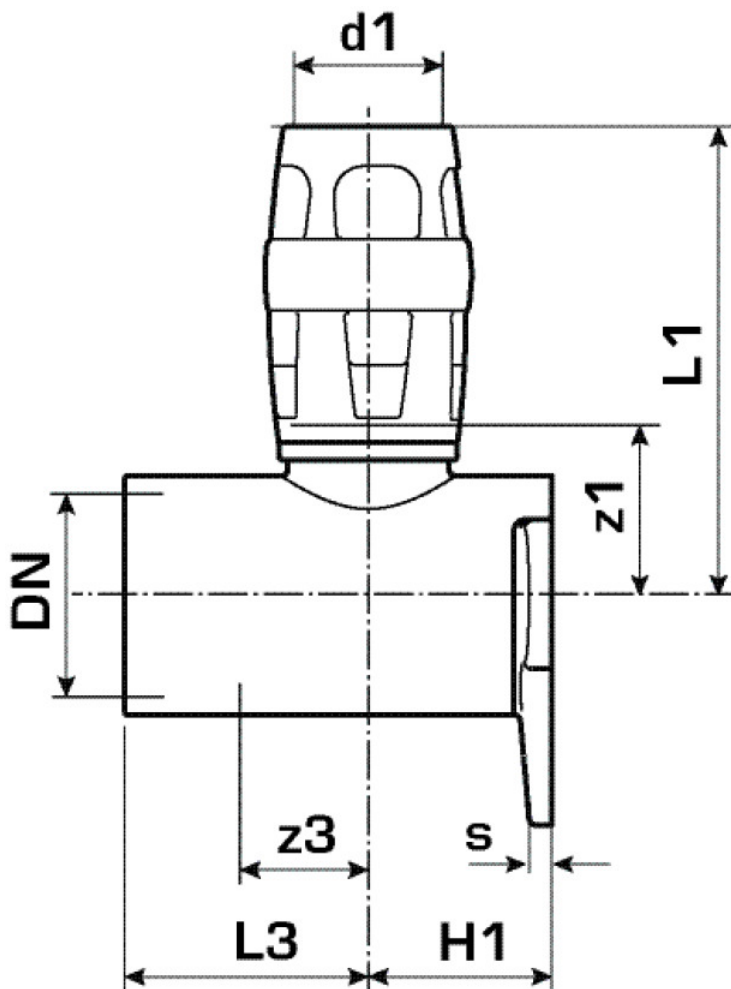
port 1	Plug-in
design	Continuously right-angled

## Technical properties

maximum working pressure at 20 ° C	10 bar
------------------------------------	--------

## Product information

VPE1	10,00 SA1
VPE2	80,00 KT1
weight	0,143 KGM
text	KELOX-PROTEC CLIX wall bracket fitting with female thread
INTRNR	74122000
main material group	KELOX
material group	KELOX-PROtec pushfittings
code	KMP480X



Art. No	label	d1 mm	L1 mm	L3 mm	z1 mm	z3 mm
730250B02	16x1/2"	16	26,5	51	11	18