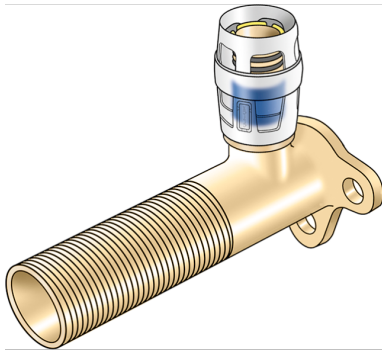


KELOX

KMP481X KELOX-PROTEC CLIX wall bracket fitting 90° with male thread 50mm 16x1/2"x50

730256B02

Areas of application



Plug-in wall bracket fitting with 50 mm male thread, made of non-porous dezincification-resistant (DZR) brass, including support sleeves with insertion click noise, as well as haptic and optical insertion indicator, O-rings, withdrawal barriers and a protector ring as an insertion locking device
Overall height: 1/2" - 85mm

Approvals:



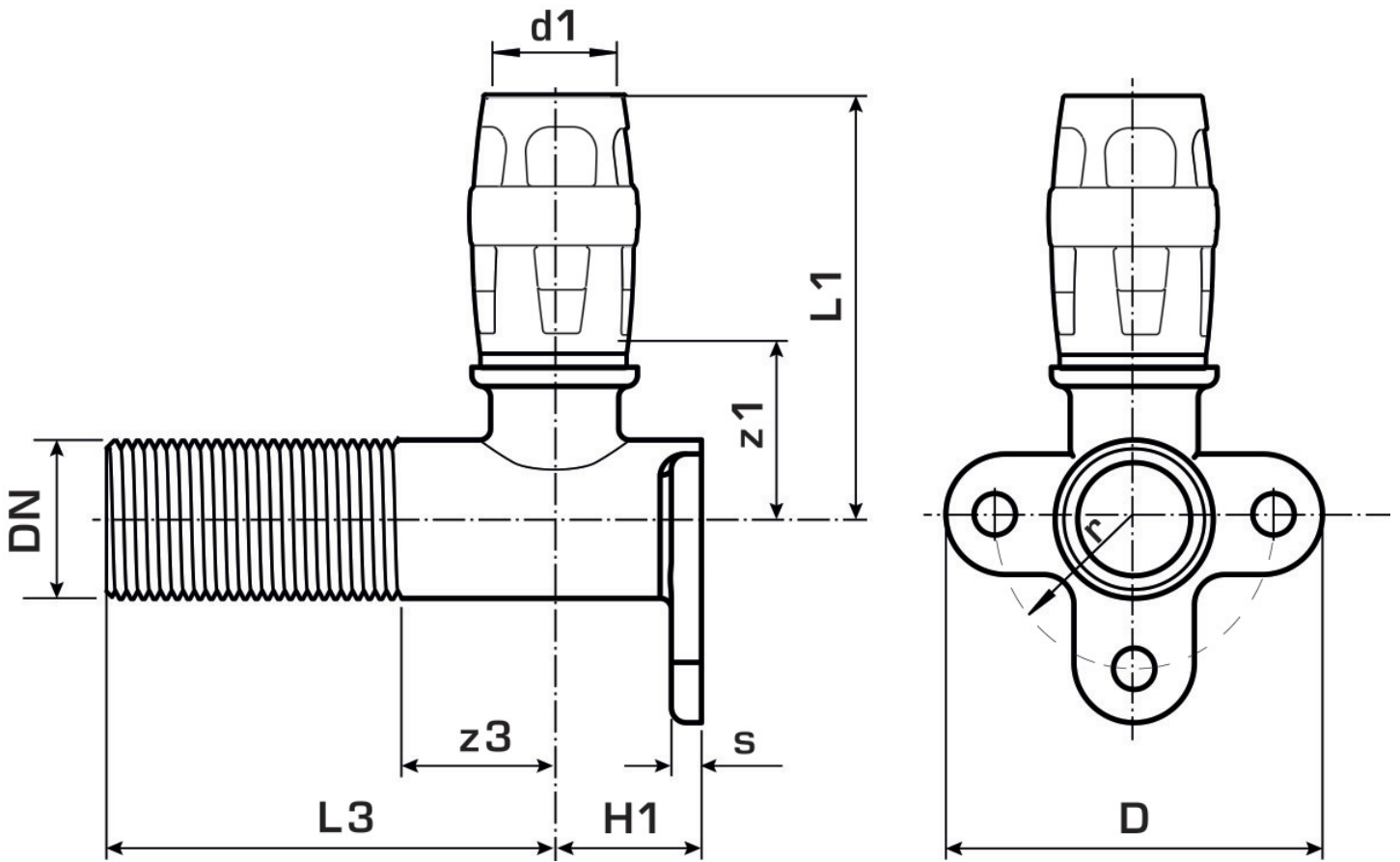
Specifications

Technical properties

maximum working pressure at 20 ° C 10 bar

Product information

VPE1	10,00 SA1
VPE2	60,00 KT1
weight	0,171 KGM
text	KELOX-PROTEC CLIX wall bracket fitting 90° with male thread 50mm
INTRNR	74122000
main material group	KELOX
material group	KELOX-PROtec pushfittings
code	KMP481X



Art. No	label	d1 mm	L1 mm	L3 mm	z1 mm	z3 mm
730256B02	16x1/2"x50	16	60	60	26	10