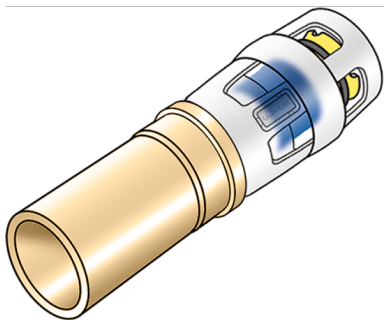


KELOX

KMP489X KELOX-PROTEC CLIX - STEELFIX adapter 25/22

730272DE0

Areas of application



Press/push-in adapter, straight, from Steelfix, Copperfix pipe size to KELOX-PROTEC - push-in sleeve made of red brass, incl. support sleeves with insertion click noise, as well as haptic and optical insertion indicator, O-rings, withdrawal barriers and a protector ring as an insertion locking device

ATTENTION! Connection to pipe end only suitable as a compression fitting or press-fit connection!

Approvals:



Specifications

Article information

port 1	Plug-in
port 2	Miscellaneous
design	Straight

Technical properties

maximum working pressure at 20 ° C	10 bar
------------------------------------	--------

Product information

VPE1	10,00 SA1
VPE2	80,00 KT1
weight	0,013 KGM
text	KELOX-PROTEC CLIX - STEELFIX adapter
INTRNR	74122000
main material group	KELOX
material group	KELOX-PROtec pushfittings
code	KMP489X



Art. No	label	d1 mm	d2 mm	L1 mm	L2 mm	z1 mm	z2 mm
730272DE0	25/22	25	22	55	21	3	4