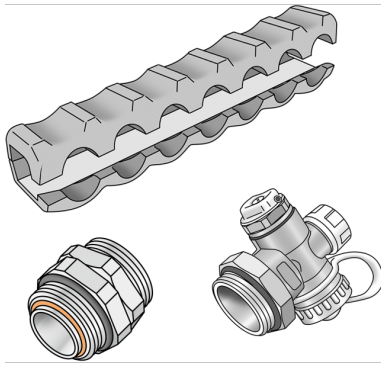


KELOX_{FB}

KMU592E ?KELOX-ULTRAX FB manifold accessories KFE cap, white

1221170

Areas of application



?Manifold accessories for KMU590E, KMP590E, KMP590Z and KMP590D:

Manifold connecting screw fitting 1" male thread - 1" female thread

Manifold extension nipple 1" male thread - observe hydraulics

Bleeding and emptying 1"

Manifold bracket

Return flow connecting nipple 1/2"x3/4" - suitable for KMU590E and KMP590Z

Return flow thermostat valve 1/2" - suitable for KMU590E and KMP590E

Flow connecting nipple 1/2"x3/4" - suitable for KMU590E

Flow top meter 1/2" - 0.5 - 5 l/min - suitable for KMU590E and KMP590E

Return flow thermostat valve 1/2" - suitable for KMP590D

Return flow cap (blue) - suitable for KMU590E and KMP590E

Manifold insulation 13-fold - SET for 1 manifold bar

Contact thermometer 0-80 °C



KE KELIT GmbH

A 4020 Linz, Ignaz-Mayer-Straße 17, Austria, Europe

PHONE +43 (0) 50 779 **E-MAIL** office@kekelit.com

www.kekelit.com

Specifications

Product information	
VPE1	20,00 KT1
weight	0,002 KGM
text	?KELOX-ULTRAX FB manifold accessories
INTRNR	85479000
code	KMU592E

Art. No	label
1221170	KFE cap, white