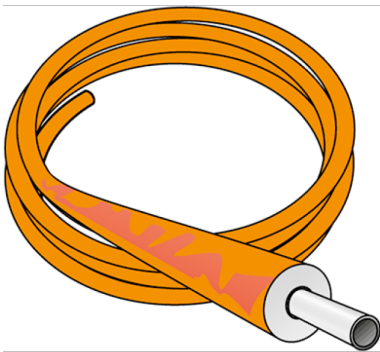


# KELOX

## KUC133 KELOX-ECO Plus pipe - 13mm 16x2

70516205

### Areas of application



KELOX-ECO solid-wall pipe in accordance with ÖNORM EN ISO 22391 made of PE-RT type 2, with 9mm closed-cell flexible-foam insulation applied at the plant and protective coating made of viscoplastic PE film. Connections can be made using KM compression fittings, KMP, KWP, KMU and KWK fittings

Classification of operating conditions according to ÖNORM EN ISO 22391

Cold water area of application: 20 °C - 10 bar

Warm water application range: 60°C - 6 bar

Colour: orange

Supplied in coils

## Approvals:



# Specifications

## Article information

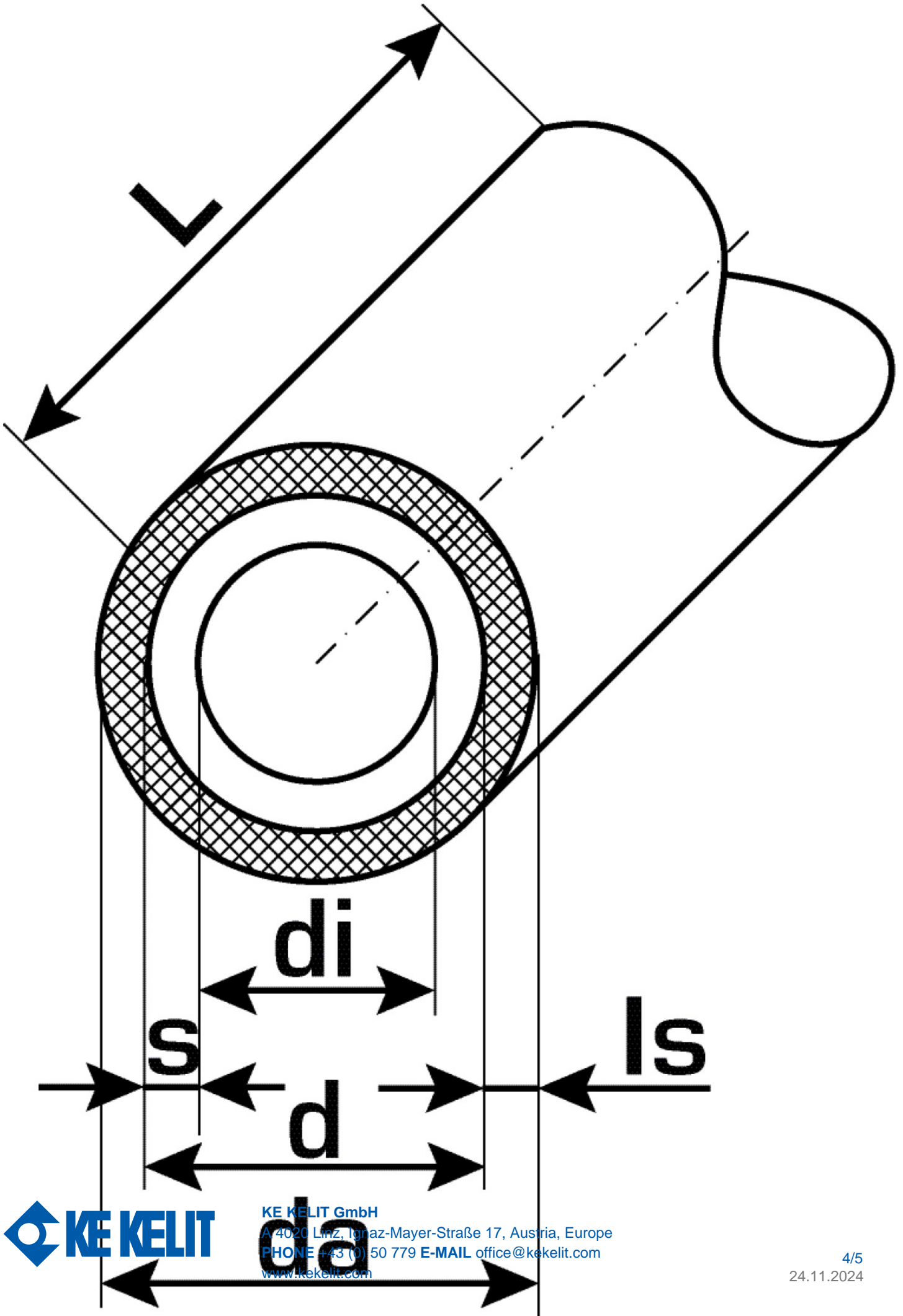
|                  |      |
|------------------|------|
| color            | weiß |
| colour isolation | blau |
| flexible         | 1    |
| trade length     | 50 m |
| isolation        | 1    |

## Technical properties

|                                    |           |
|------------------------------------|-----------|
| maximum working pressure at 20 ° C | 10 bar    |
| thick thermal insulation           | 13 mm     |
| pipe contents                      | 0,113 l/m |
| wall rawness                       | 0,007 mm  |

## Product information

|                     |                            |
|---------------------|----------------------------|
| VPE1                | 50,00 ROL                  |
| VPE2                | 600,00 PAL                 |
| L                   | 50                         |
| weight              | 0,210 KGM                  |
| text                | KELOX-ECO Plus pipe - 13mm |
| INTRNR              | 39173900                   |
| main material group | KELOX                      |
| material group      | KELOX isolierte pipes      |
| code                | KUC133                     |



| Art. No  | label | d1 mm | d Jacket tube mm | pipe contents l/m | s mm |
|----------|-------|-------|------------------|-------------------|------|
| 70516205 | 16x2  | 16    | 42               | 0,113             | 2    |



**KE KELIT GmbH**

A 4020 Linz, Ignaz-Mayer-Straße 17, Austria, Europe

**PHONE** +43 (0) 50 779 **E-MAIL** [office@kekelit.com](mailto:office@kekelit.com)

[www.kekelit.com](http://www.kekelit.com)