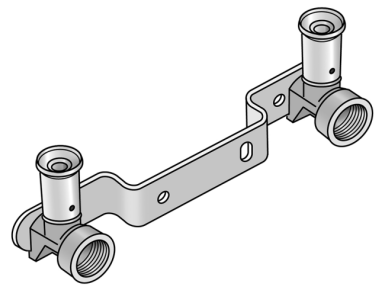


KELOX

KMU485K KELOX-ULTRAX connection set,
shortened 20x1/2" 15cm

74268D02

Areas of application

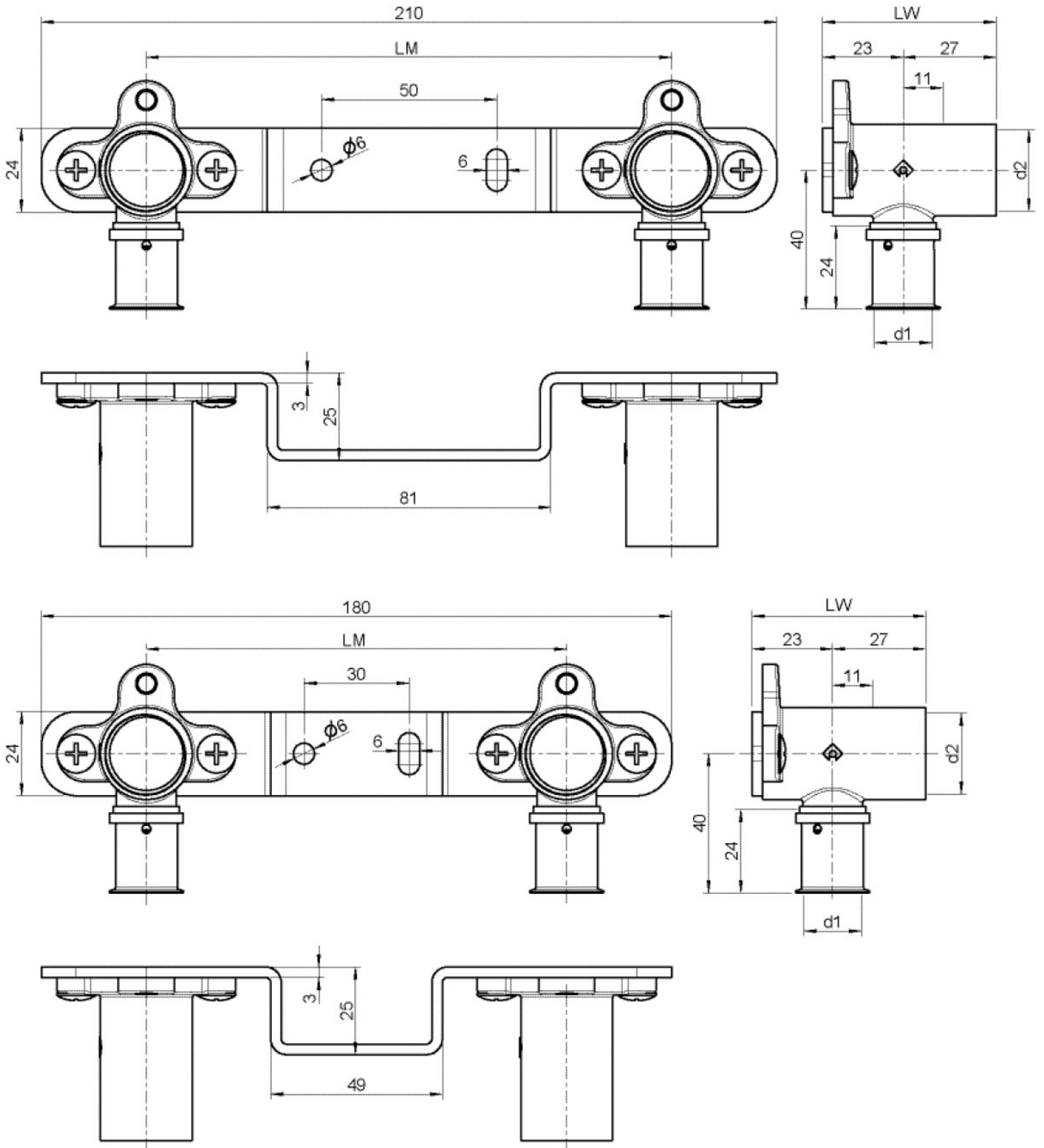


KELOX connection set with KMU480K wall bracket fitting 90° with metal bar of galvanised steel,
alignment of wall bracket fittings adjustable.

DO NOT screw in threaded pipes and malleable cast iron fittings!

Specifications

Product information	
VPE1	1,00 SA1
VPE2	20,00 KT1
weight	0,440 KGM
text	?KELOX-ULTRAX connection set, shortened
INTRNR	74122000
main material group	KELOX
material group	KELOX-ULTRAX metal fittings
code	KMU485K



Art. No	label
74268D02	20x1/2" 15cm



KE KELIT GmbH
A 4020 Linz, Ignaz-Mayer-Straße 17, Austria, Europe
PHONE +43 (0) 50 779 **E-MAIL** office@kekelit.com
www.kekelit.com