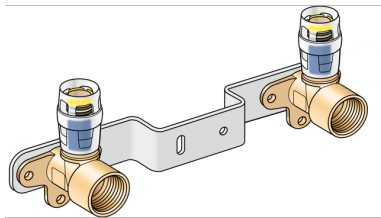


# KELOX

## KMP485KX KELOX-PROTEC CLIX connection set 2.5cm 16x1/2" 15cm

730292B02

### Areas of application



With KMP480X plug-in wall bracket fittings with female thread, made of dezincification-resistant brass (DZR), including support sleeves, O-rings, withdrawal barriers and a protector ring as an insertion locking device

Overall height:

DO NOT screw in any threaded pipes and cast iron fittings!

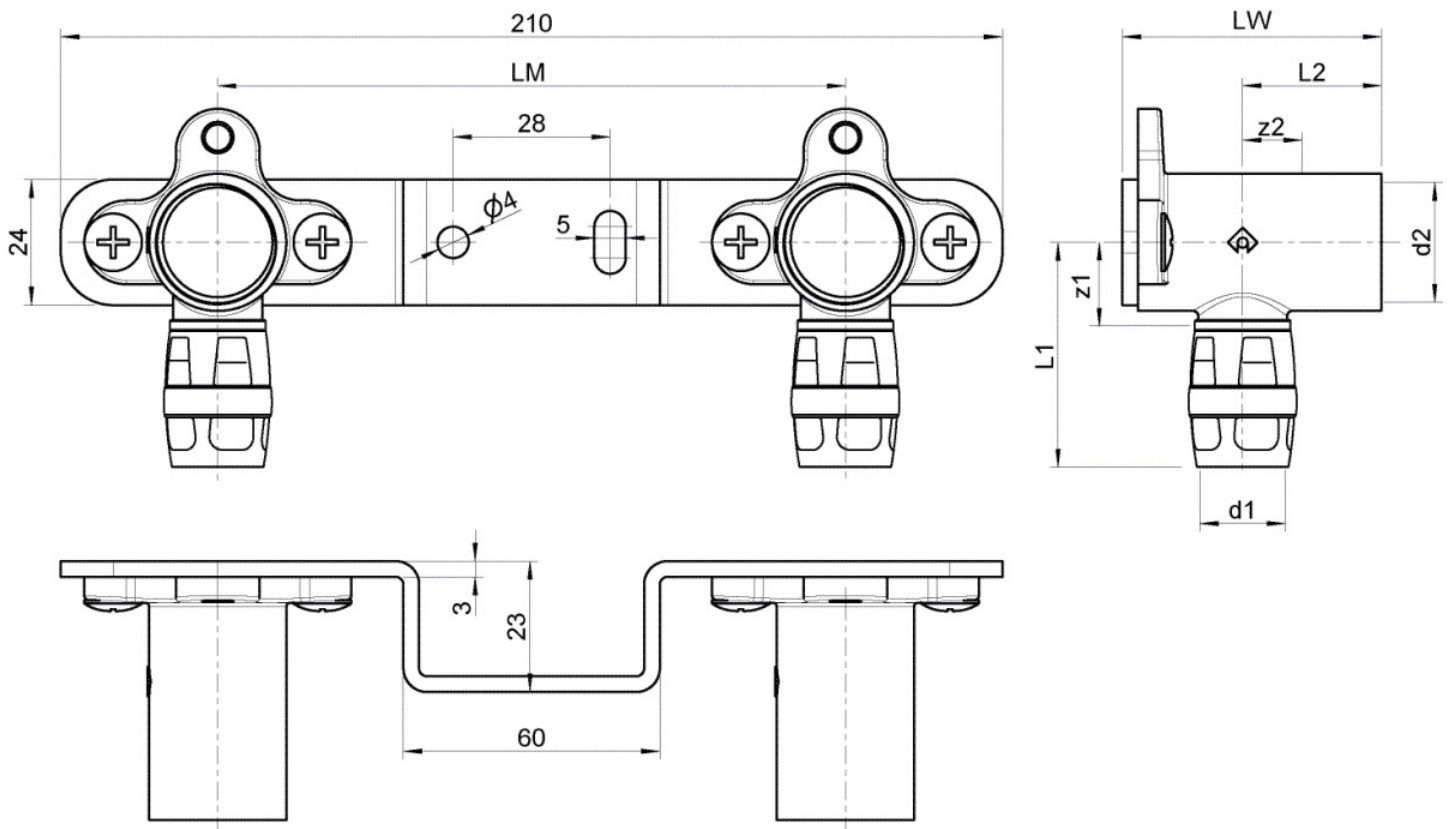
## Approvals:



# Specifications

## Product information

VPE1	10,00 KT1
weight	0,715 KGM
text	KELOX-PROTEC CLIX connection set 2.5cm
INTRNR	74122000
main material group	KELOX
material group	KELOX-PROtec pushfittings
code	KMP485KX



Art. No	label	d1 mm
730292B02	16x1/2" 15cm	16



**KE KELIT GmbH**

A 4020 Linz, Ignaz-Mayer-Straße 17, Austria, Europe

**PHONE** +43 (0) 50 779 **E-MAIL** [office@kekelit.com](mailto:office@kekelit.com)

[www.kekelit.com](http://www.kekelit.com)