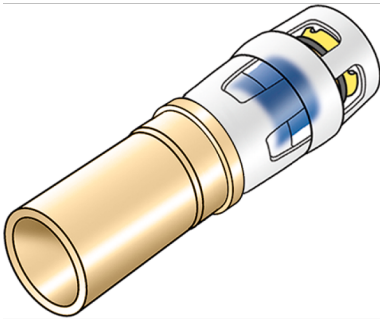


# KELOX

## KMP489 KELOX-PROTEC - STEELFIX adapter 20/15

73272BD0

### Areas of application



?Press/push-in adapter, straight, from Steelfix, Copperfix pipe size to KELOX-PROTEC - push-in sleeve made of red brass, incl. support sleeves, O-rings, withdrawal barriers and a protector ring as an insertion locking device

ATTENTION! Connection to pipe end only suitable as a compression fitting or press-fit connection!

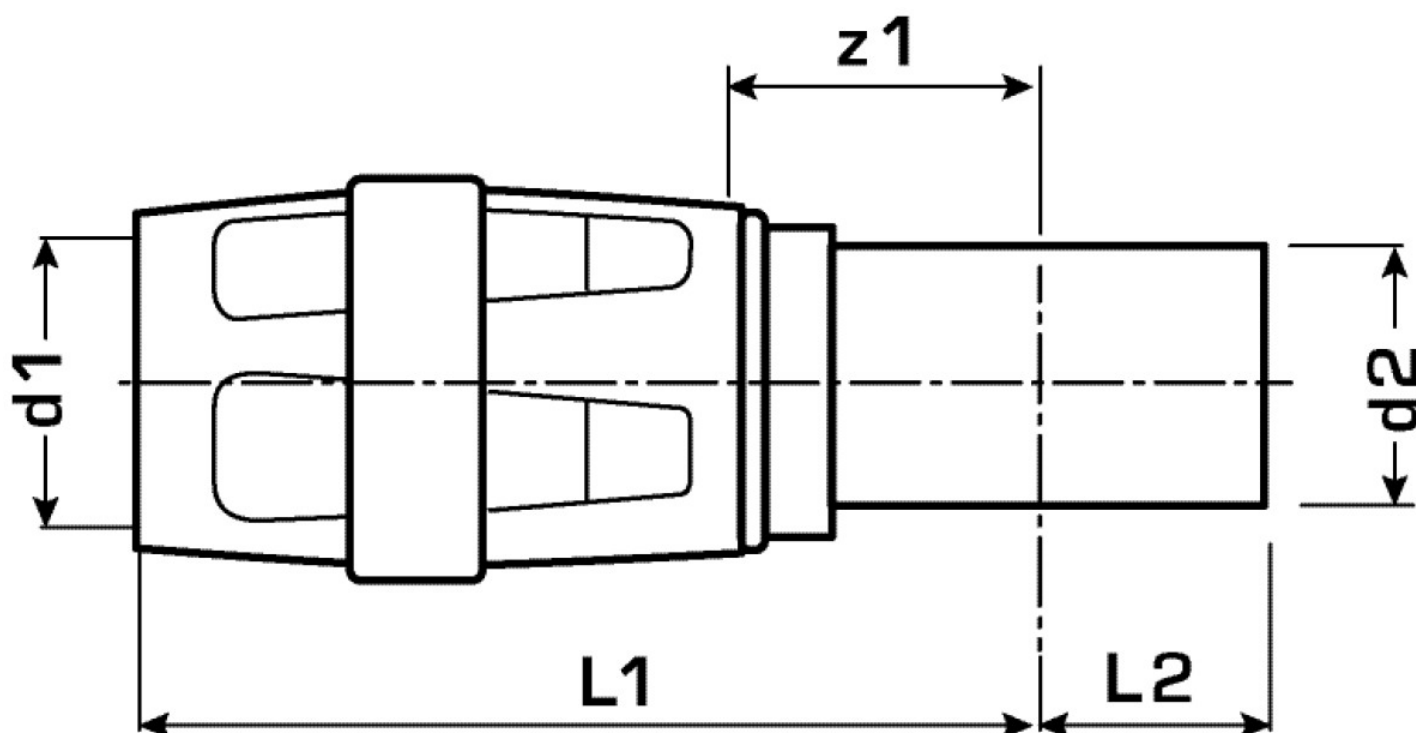
## Approvals:



# Specifications

## Product information

VPE1	10,00 SA1
VPE2	140,00 KT1
weight	0,045 KGM
text	KELOX-PROTEC - STEELFIX adapter
INTRNR	74122000
main material group	KELOX
material group	KELOX-PROtec pushfittings
code	KMP489



Art. No	label
73272BD0	20/15



**KE KELIT GmbH**  
A 4020 Linz, Ignaz-Mayer-Straße 17, Austria, Europe  
**PHONE** +43 (0) 50 779 **E-MAIL** office@kekelit.com  
www.kekelit.com