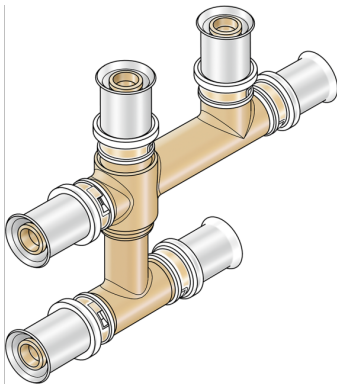


KELOX

KMW441 KELOX-ULTRAX-W double connecting tee 16/16/16

71312BBB

Areas of application



?Zeta value-optimised double press tee piece, equal or reduced, made from dezincification-resistant, (DZR) brass, including support sleeves with O-rings and stainless steel press-fit sleeves "leak before pressed", audible leakage signal at air-pressure testing

Approvals:



KE KELIT GmbH

A 4020 Linz, Ignaz-Mayer-Straße 17, Austria, Europe

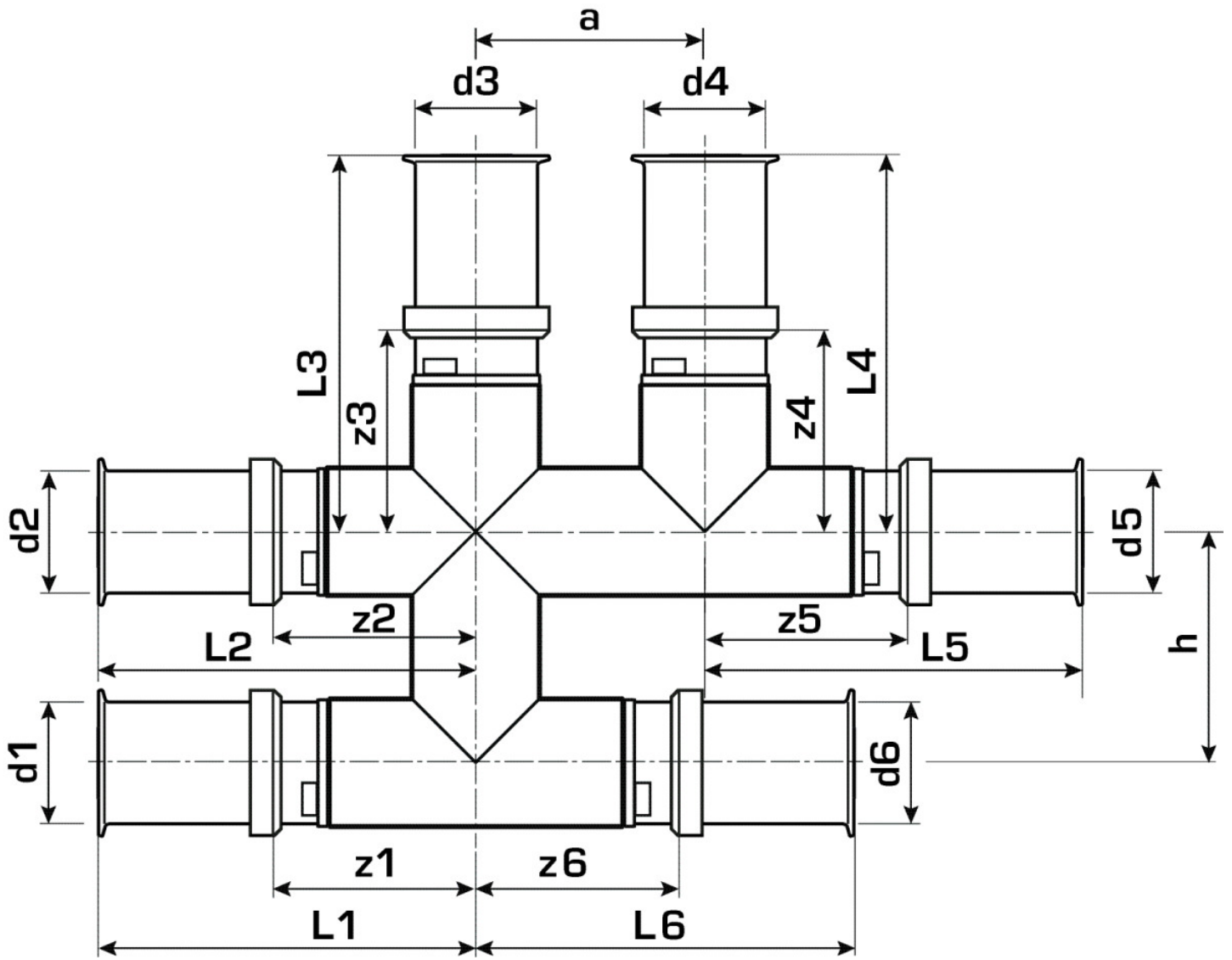
PHONE +43 (0) 50 779 E-MAIL office@kekelit.com

www.kekelit.com

Specifications

Product information

VPE1	1,00 KT1
weight	0,350 KGM
text	KELOX-ULTRAX-W double connecting tee
INTRNR	74122000
main material group	KELOX
code	KMW441



Art. No	label
71312BBB	16/16/16