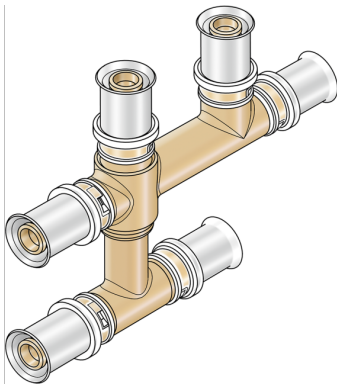


# KELOX

## KMW441 KELOX-ULTRAX-W double connecting tee 20/16/16

71312DBB

### Areas of application



?Zeta value-optimised double press tee piece, equal or reduced, made from dezincification-resistant, (DZR) brass, including support sleeves with O-rings and stainless steel press-fit sleeves "leak before pressed", audible leakage signal at air-pressure testing

### Approvals:



KE KELIT GmbH

A 4020 Linz, Ignaz-Mayer-Straße 17, Austria, Europe

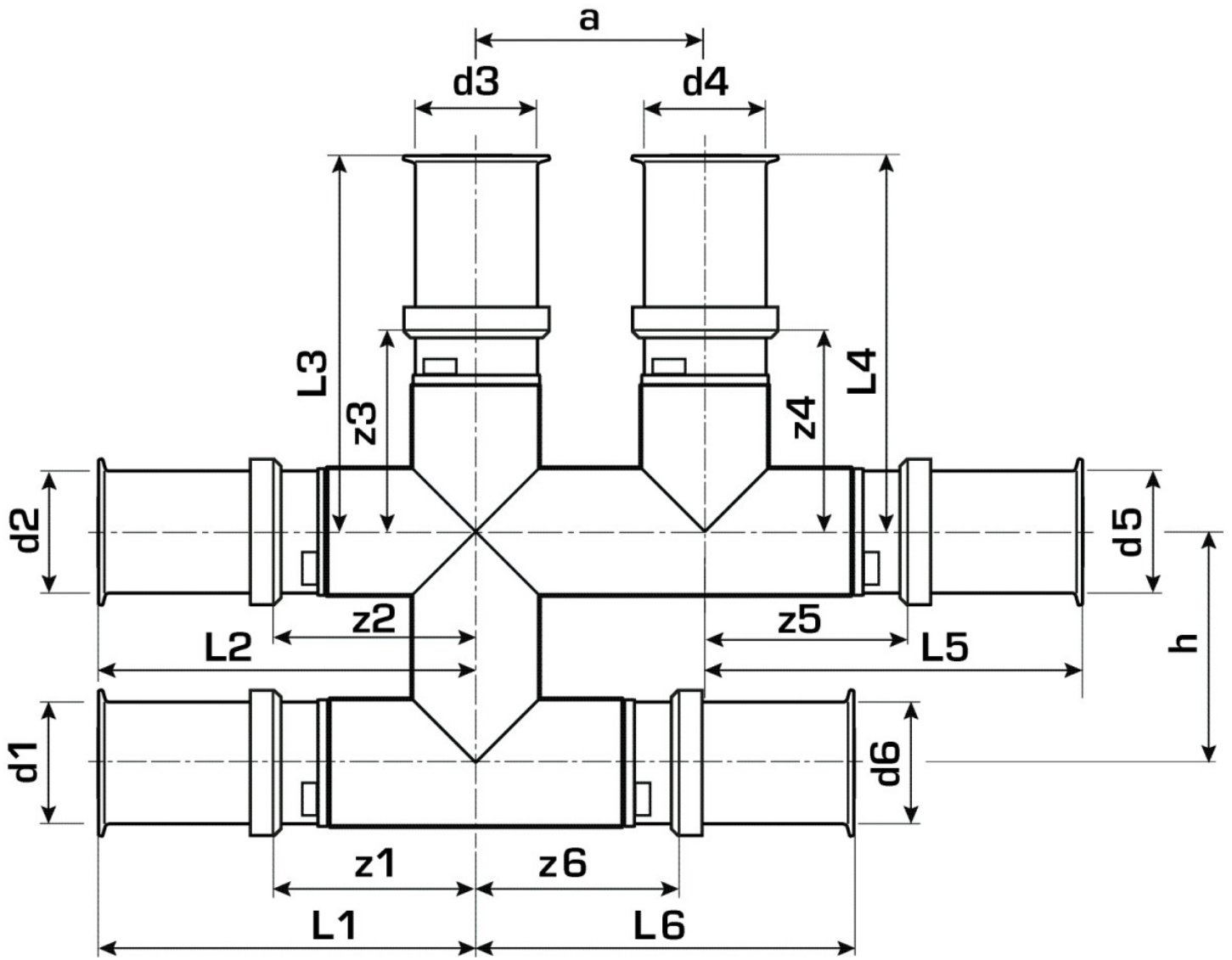
PHONE +43 (0) 50 779 E-MAIL [office@kekelit.com](mailto:office@kekelit.com)

[www.kekelit.com](http://www.kekelit.com)

# Specifications

## Product information

<b>VPE1</b>	1,00 KT1
<b>weight</b>	0,350 KGM
<b>text</b>	KELOX-ULTRAX-W double connecting tee
<b>INTRNR</b>	74122000
<b>main material group</b>	KELOX
<b>code</b>	KMW441



Art. No

label

71312DBB

20/16/16