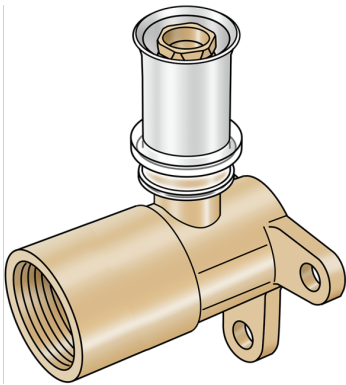


KELOX

KMW480L KELOX-ULTRAX-W wall bracket fitting 90° with female thread 20mm 16x1/2"

71451B02

Areas of application



?Zeta value-optimised press-fit wall bracket fitting with female thread extended by 20mm, made from dezincification-resistant (DZR) brass, including support sleeves with O-rings and stainless steel press-fit sleeves "leak before pressed", audible leakage signal at air-pressure testing

Overall height: 1/2" - 61mm

DO NOT screw in threaded pipes and cast iron fittings!

Approvals:



Specifications

Article information

port 1 Pressmuffe

press contour U

Technical properties

maximum working pressure at 20 ° C 16 bar

Product information

VPE1 10,00 SA1

VPE2 30,00 KT1

VPE3 2400,00 PAL

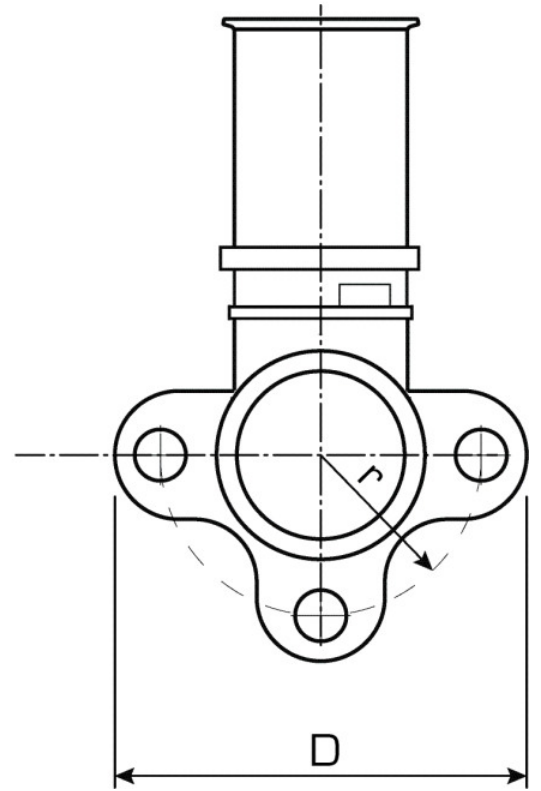
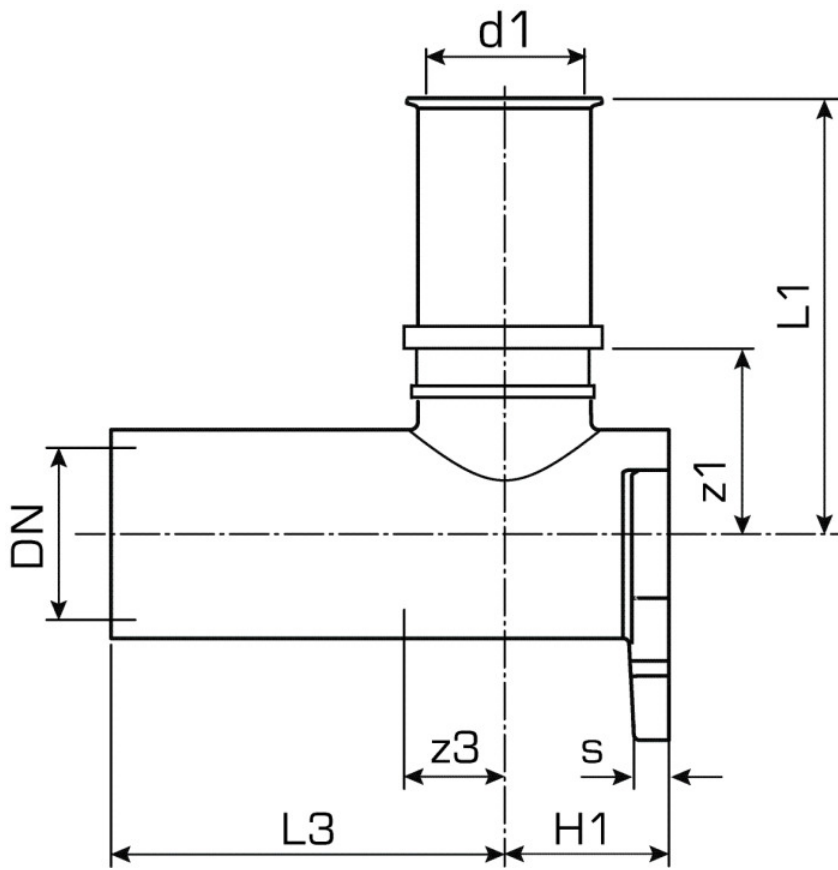
weight 0,147 KGM

text KELOX-ULTRAX-W wall bracket fitting 90° with female thread 20mm

INTRNR 74122000

main material group KELOX

code KMW480L



Art. No	label	d1 mm	L1 mm	L2 mm	L3 mm	z1 mm	z3 mm
71451B02	16x1/2"	16	30,5	21,5	47,5	9,5	23