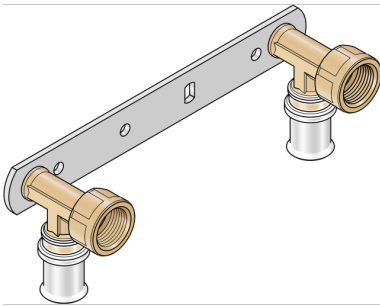


KELOX

KMW485K KELOX-ULTRAX-W connection set, shortened 16x1/2" 15cm

71469B02

Areas of application



Zeta-value optimised connection kit with KMW480 wall bracket fitting bracket 90° with metal bar made of galvanised steel, 15 cm spacing between the wall bracket fittings, alignment of wall bracket fittings adjustable.

DO NOT screw in threaded pipes and malleable cast iron fittings!

Approvals:



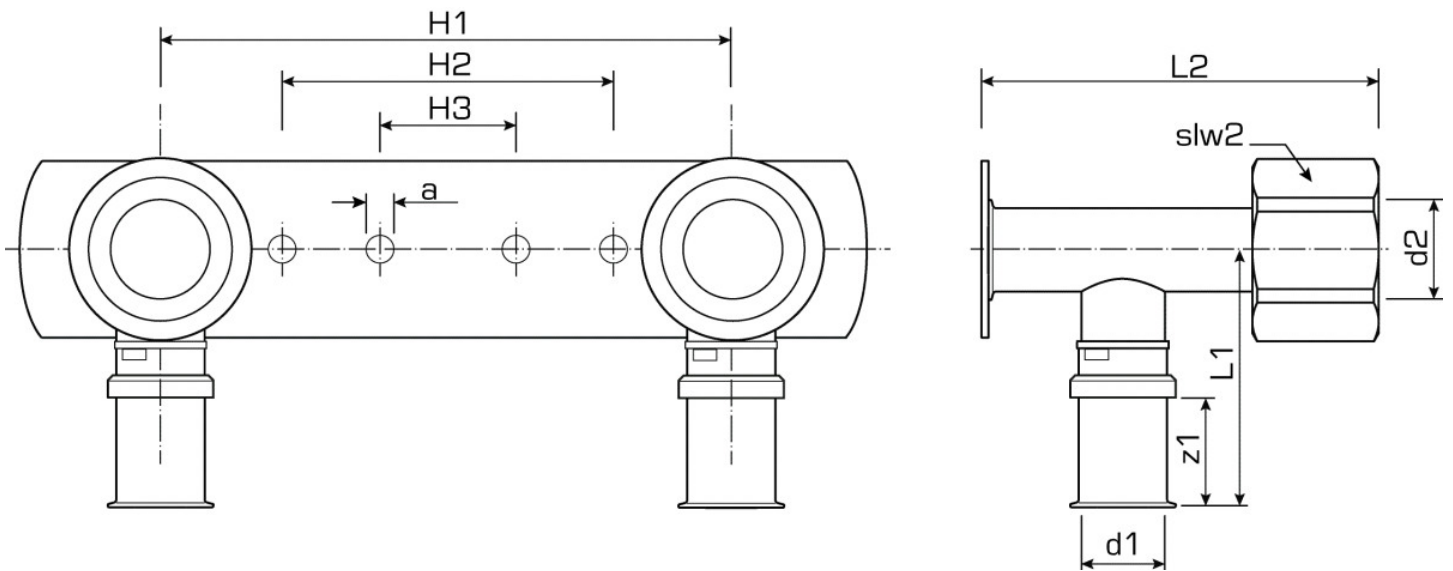
Specifications

Article information

port 1	Pressmuffe
execution	Doppel flach

Product information

VPE1	2,00 SA1
VPE2	24,00 KT1
VPE3	1440,00 PAL
weight	0,250 KGM
text	KELOX-ULTRAX-W connection set, shortened
INTRNR	74122000
main material group	KELOX
code	KMW485K



Art. No	label	d1 mm
71469B02	16x1/2" 15cm	16



KE KELIT GmbH

A 4020 Linz, Ignaz-Mayer-Straße 17, Austria, Europe

PHONE +43 (0) 50 779 **E-MAIL** office@kekelit.com

www.kekelit.com