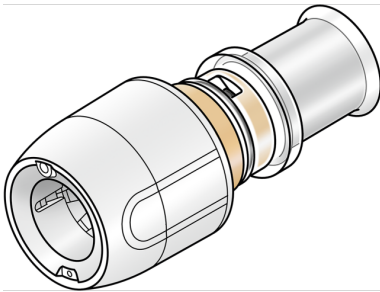


KELOX

KMW489C KELOX-ULTRAX-W - copper pipe plug-in adapter 25/22

71473ED0

Areas of application



Zeta value-optimised press-adapter, straight, on copper pipes using plug-in adapter, pressing socket, made from dezincification-resistant (DZR) brass, incl. support sleeves with O-rings and stainless steel press-fit sleeves, "leak before pressed", audible leakage signal at air-pressure testing

Approvals:



KE KELIT GmbH

A 4020 Linz, Ignaz-Mayer-Straße 17, Austria, Europe

PHONE +43 (0) 50 779 E-MAIL office@kekelit.com

www.kekelit.com

Specifications

Article information

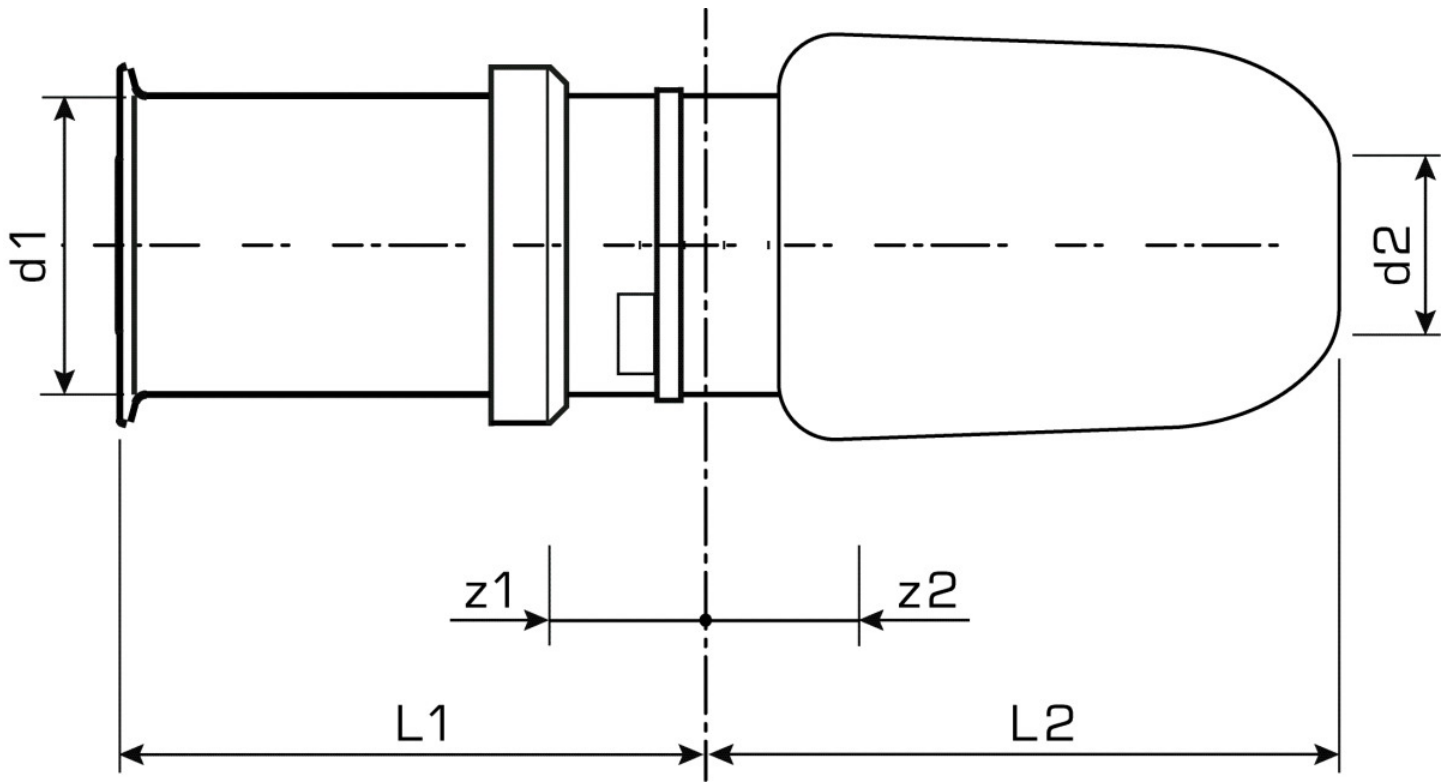
port 1	Pressmuffe
port 2	Einsteck (Push-Fitting)
design	gerade
press contour	U

Technical properties

maximum working pressure at 20 ° C	16 bar
------------------------------------	--------

Product information

VPE1	10,00 SA1
VPE2	40,00 KT1
VPE3	2400,00 PAL
weight	0,065 KGM
text	KELOX-ULTRAX-W - copper pipe plug-in adapter
INTRNR	74122000
main material group	KELOX
code	KMW489C



Art. No	label	d1 mm	d2 mm	z1 mm
71473ED0	25/22	25	22	10