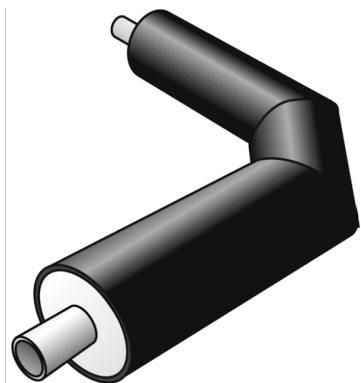


# CP2020 STEELFIX-PE carbon steel elbow 76.1x2.0

3000635

## Areas of application



Pre-insulated carbon steel 90° elbow

Medium pipe: Thin-walled, longitudinally welded stainless steel pipes according to EN 10305-3 with a particularly low carbon content and with the outside protected by a thermally applied zinc layer and a passivating/chromium layer

Area of application: closed heating and cooling circuits

Insulation: PUR hard foam, jacket pipe: PE-HD

also available in 45°!

Leg length: 500 x 500mm, other leg lengths on request!

# Specifications

## Product information

<b>casing DA</b>	140
<b>VPE1</b>	1,00 STK
<b>weight</b>	6,880 KGM
<b>text</b>	STEELFIX-PE carbon steel elbow
<b>INTRNR</b>	73071190
<b>main material group</b>	STEELFIX CX/PE
<b>material group</b>	STEELFIX CX/PE C-Stahl pipes and fittings
<b>code</b>	CP2020

<b>Art. No</b>	<b>label</b>
3000635	76.1x2.0