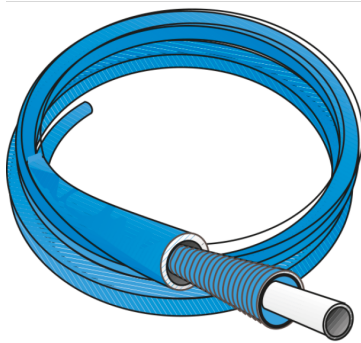


KELOX

KM144 KELOX pro plus pipe 16x2/25/4

1005164

Areas of application



?KELOX multilayer pipe conforming to ÖNORM EN ISO 21003; oxygen- and water vapour diffusions-tight 5-layer multilayer pipe made of PE-RT/Al/PE-RT, with impermeable corrugated push-on tube attached at the factory made of PE-HD and additional 4mm closed-cell soft plastic insulation protective sleeve made of viscoplastic PE foil

Operating conditions according to classification of ÖNORM EN ISO 21003

Sanitary application - Class 2: 70°C - tmax 80°C/10 bar

Radiator connection - Class 5: 80°C - tmax 90°C/10 bar

Colour: blue

Rolled product



KE KELIT GmbH

A 4020 Linz, Ignaz-Mayer-Straße 17, Austria, Europe

PHONE +43 (0) 50 779 E-MAIL office@kekelit.com

www.kekelit.com

Approvals:



Specifications

Article information

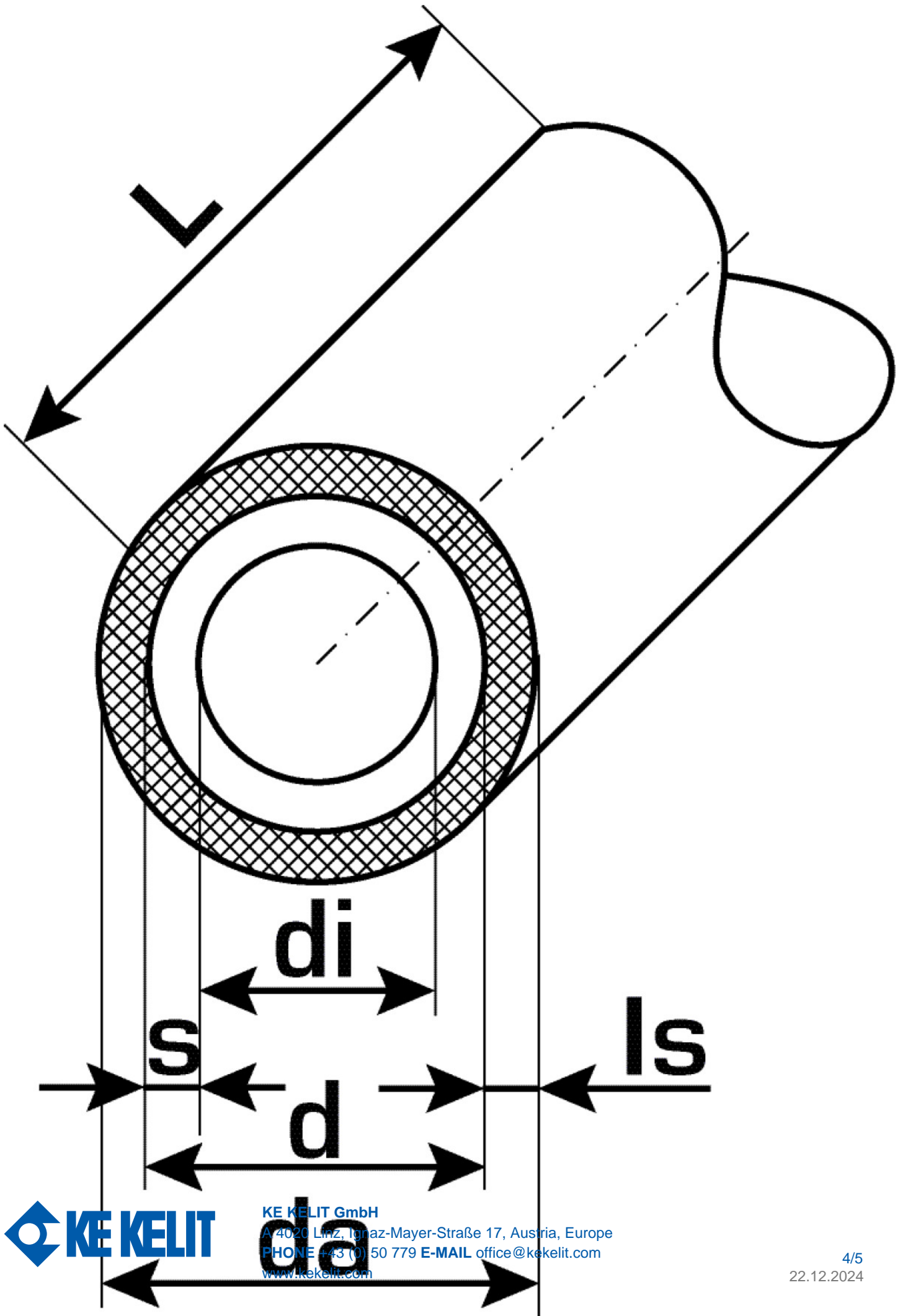
| | |
|------------------|-------|
| color | White |
| colour isolation | Blue |
| flexible | 1 |
| isolation | 1 |

Technical properties

| | |
|------------------------------------|----------------|
| maximum working pressure at 20 ° C | 10 bar |
| thick thermal insulation | 4 mm |
| pipe contents | 0,113 l/m |
| lambda pipe | 0,45 W/(m.K) |
| wall rawness | 0,007 mm |
| expansion coefficient | 0,025 mm/(m.K) |

Product information

| | |
|---------------------|-----------------------|
| VPE1 | 50,00 ROL |
| L | 50 m |
| weight | 0,230 KGM |
| text | KELOX pro plus pipe |
| INTRNR | 39172110 |
| main material group | KELOX |
| material group | KELOX isolierte pipes |
| code | KM144 |



| Art. No | label | d1 mm | d Jacket tube mm | pipe contents l/m | s mm |
|---------|-----------|-------|------------------|-------------------|------|
| 1005164 | 16x2/25/4 | 16 | 28 | 0,113 | 2 |



KE KELIT GmbH

A 4020 Linz, Ignaz-Mayer-Straße 17, Austria, Europe

PHONE +43 (0) 50 779 **E-MAIL** office@kekelit.com

www.kekelit.com